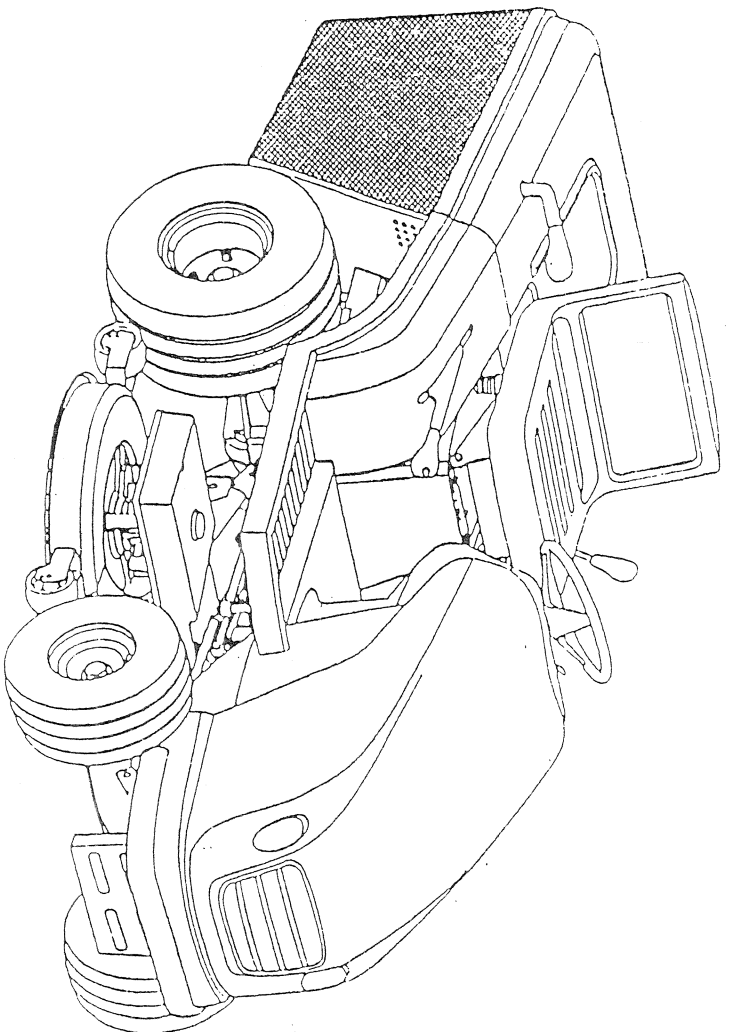




AGRIA-Landmaschinen AG, 3426 Aeffligen BE

Ersatzteilliste



Model: 6018-H-PRO

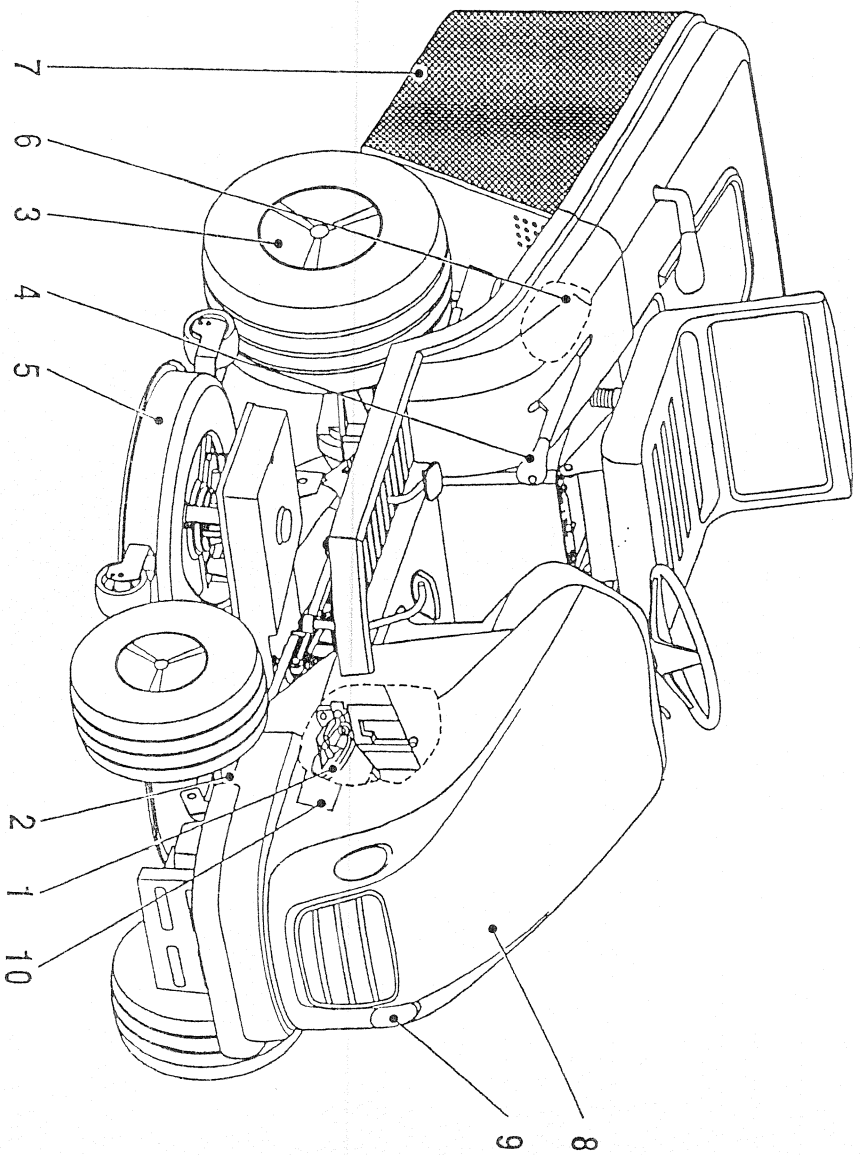


Fig. 043_2

CLASSIC 6017-H, CLASSIC 6018-H, CLASSIC 6420-H

- 1 ENGINE ASSEMBLY
- 2 FRONT AXLE
STEERING
- 3 TRANSMISSION DRIVE
- 4 OPERATION MANUAL
 - MOWER LIFTING
 - BRAKE-BYPASS
 - TRAVEL PEDALS
 - HYDROSTATIC TRANSAXLE CONTROL
- 5 CUTTING PAN
 - MOWER HOUSING COMPLETE
DRIVE
- 6 CHUTE - COLLECTOR ASSY
- 7 GRASS COLLECTOR ASSY
- 8 BODY ASSY:
 - FENDER - SEAT
 - HOOD
- 9 ELECTRICAL:
 - WIRING HARNESS COMPL.
 - SWITCHES (1) PAGE 1
 - SWITCHES (2) PAGE 2
- 10 DECALS-LABELS

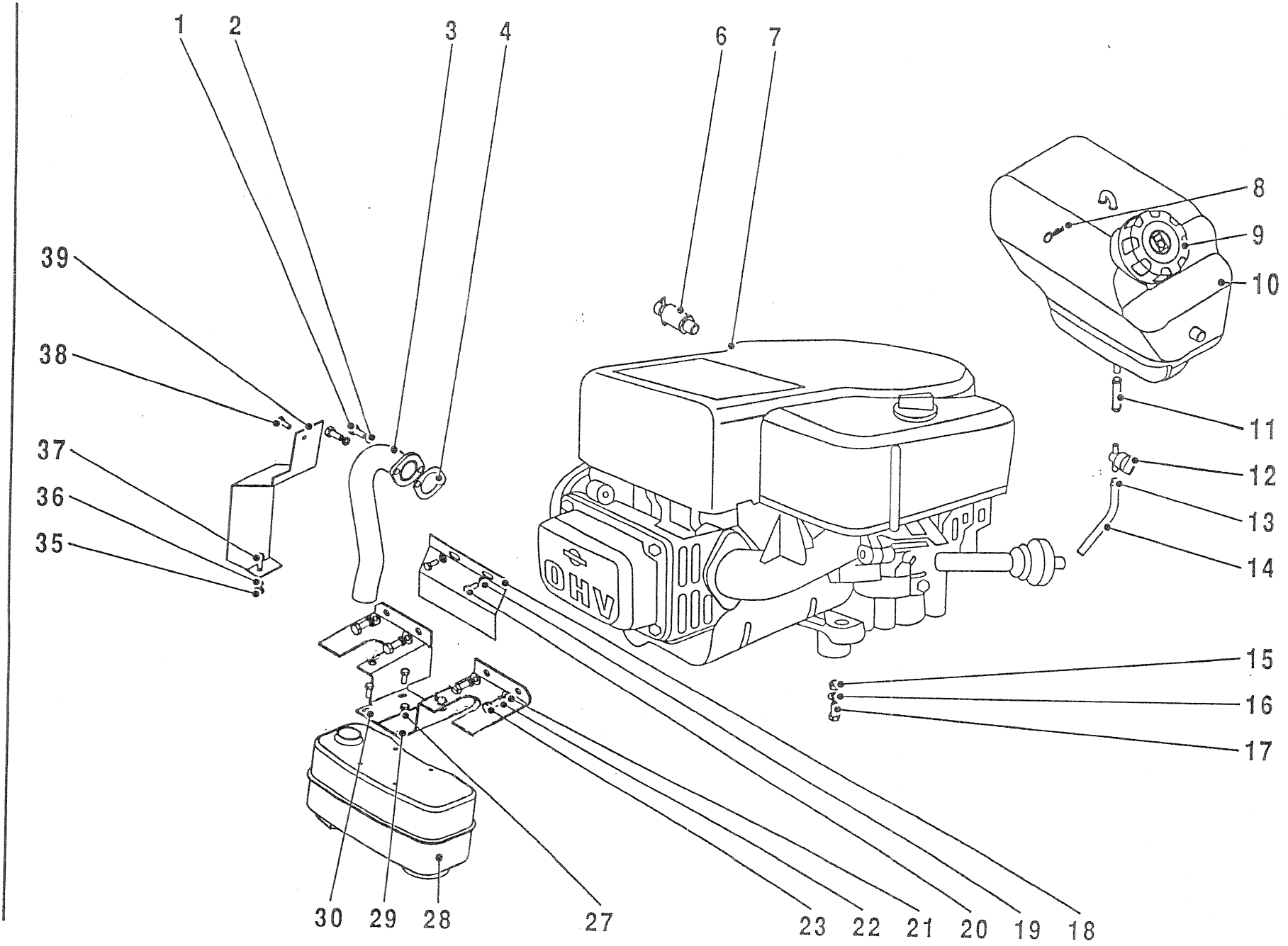


Fig. 003_3

6017-H

Engine Assembly 17 HP INTEK

17HP

Section 1

POS.	PART NO.	DESCRIPTION	Q.TY	CODE
1	000201531	Exhaust screw 5/16-NC 3/4	2	
2	000201003	Spring washer 8 DIN 127 B	2	
3	5959000042	Exhaust tube	1	
4	000224180	Exhaust gasket	1	
6	000888305	Oil drain valve 7409	1	
7	570011701	Engine, INTEK 17 HP - B&S	1	
8	000033242	Hair pin clip	1	
9	000900955	Fuel tank cap	1	* 1
10	000490644	Fuel tank	1	* 1
11	000008646	Fuel line 70mm	1	
12	000476300	Fuel tank valve	1	
13	000318164	Fuel line clamp UM 5008	4	
14	000005005	Fuel line 240mm	1	
15	000272503	Hex nut M8 DIN 984 Cl.8	4	
16	000201003	Spring washer 8 DIN 127 B	4	
17	000245124	Hex screw M8x30 DIN 933 8.8	4	
18	000022396	Front cover	1	
19	000298210	Flat washer 6.4 DIN 9021 B	2	
20	505900065	Taprite thread form screw 1/4"-20 - 1/2	2	
21	000291500	Flat washer 6.4 DIN 9021 B	4	
22	000201003	Spring washer 8 DIN 127 B	4	
23	000244563	Hex screw M8x20 DIN 933 8.8	4	
27	505900065	Taprite thread form screw 1/4-20 x 1/2	4	
28	505900053	Muffler - 24772N	1	
29	195800062	Muffler heat guard, left	1	
30	195800926	Muffler heat guard, right	1	
35	000233673	Hex nut M6 DIN 934 Cl.8	1	
36	000200442	Spring washer 6 DIN 127 B	1	
37	000284449	Hex screw M6x16 DIN 933 8.8	1	
38	505900065	Taprite thread form screw 1/4-20 x 1/2	1	
39	105800984	Exhaust manifold cover	1	
* 1	195800844	Fuel tank with cap	1	see it.9,10

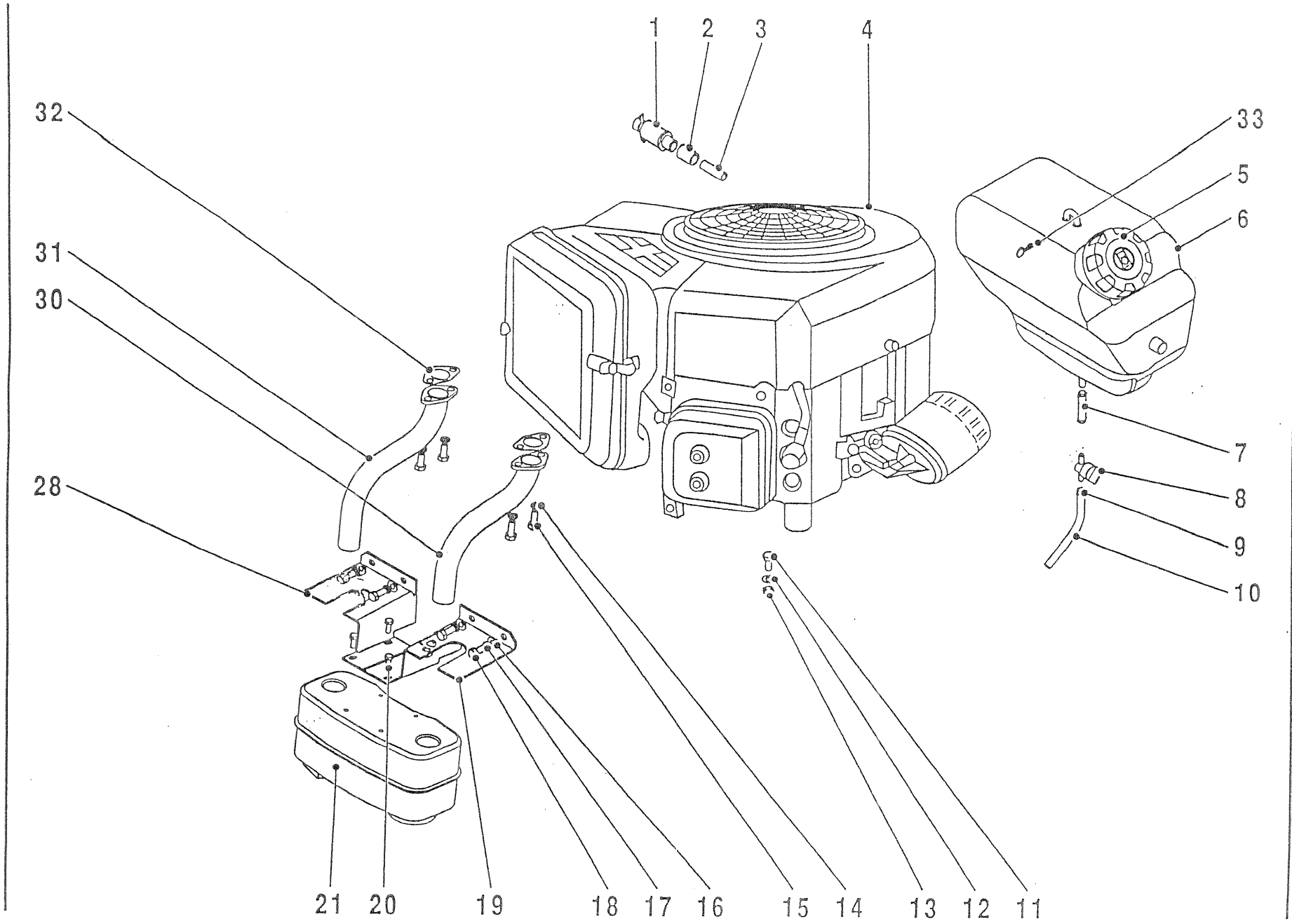


Fig. 004_4

6018-H

Engine Assembly 18 HP INTEK

18 HP

Section 1

GRP	POS.	PART NO.	DESCRIPTION	Q.TY	CODE
1	1	000888305	Oil drain valve 7409	1	
1	2	505900024	Oil drain coupler 3/8" NPT x 4"	1	
1	3	505900023	Oil drain fitting 3/8" NPT x 4"	1	
1	4	570021802	Engine,INTEK V-TWIN 18 HP- B&S	1	
1	5	000900955	Fuel tank cap	1	* 1
1	6	000490644	Fuel tank	1	* 1
1	7	000008646	Fuel line 70mm	1	
1	8	000476300	Fuel tank valve	1	
1	9	000318164	Fule line clamp UM 5008	4	
1	10	000084205	Fuel line 210mm	1	
1	11	000299530	Hex screw M8x35 DIN 933 8.8	4	
1	12	000201003	Spring washer 8 DIN 127 B	4	
1	13	000272503	Hex nut M8 DIN 934 Cl.8	4	
1	14	000201003	Spring washer 8 DIN 127 B	4	
1	15	000201531	Exhaust screw 5/16 - 18NC 3/4 LG	4	
1	16	000291500	Flat washer 8.4 DIN 125 A	4	
1	17	000201003	Spring washer 8 DIN 127 B	4	
1	18	000244563	Hex screw M8 x 20 DIN 933 8.8	4	
1	19	195800062	Muffler heat guard, left	1	
1	20	505900065	Tapite thread form screw 1/4"-20 - 1/2	4	
1	21	505900054	Muffler 18HP 24500N	1	
1	28	195800926	Muffler heat guard, right	1	
1	30	595900101	Exhaust tube, left - INTEK	1	
1	31	595900102	Exhaust tube, right - INTEK	1	
1	32	571001801	Exhaust gasket 18 HP - INTEK	2	
1	33	000033242	Hair pin clip	1	
	* 1	195800844	Fuel tank with cap	1	see lt.5, 6

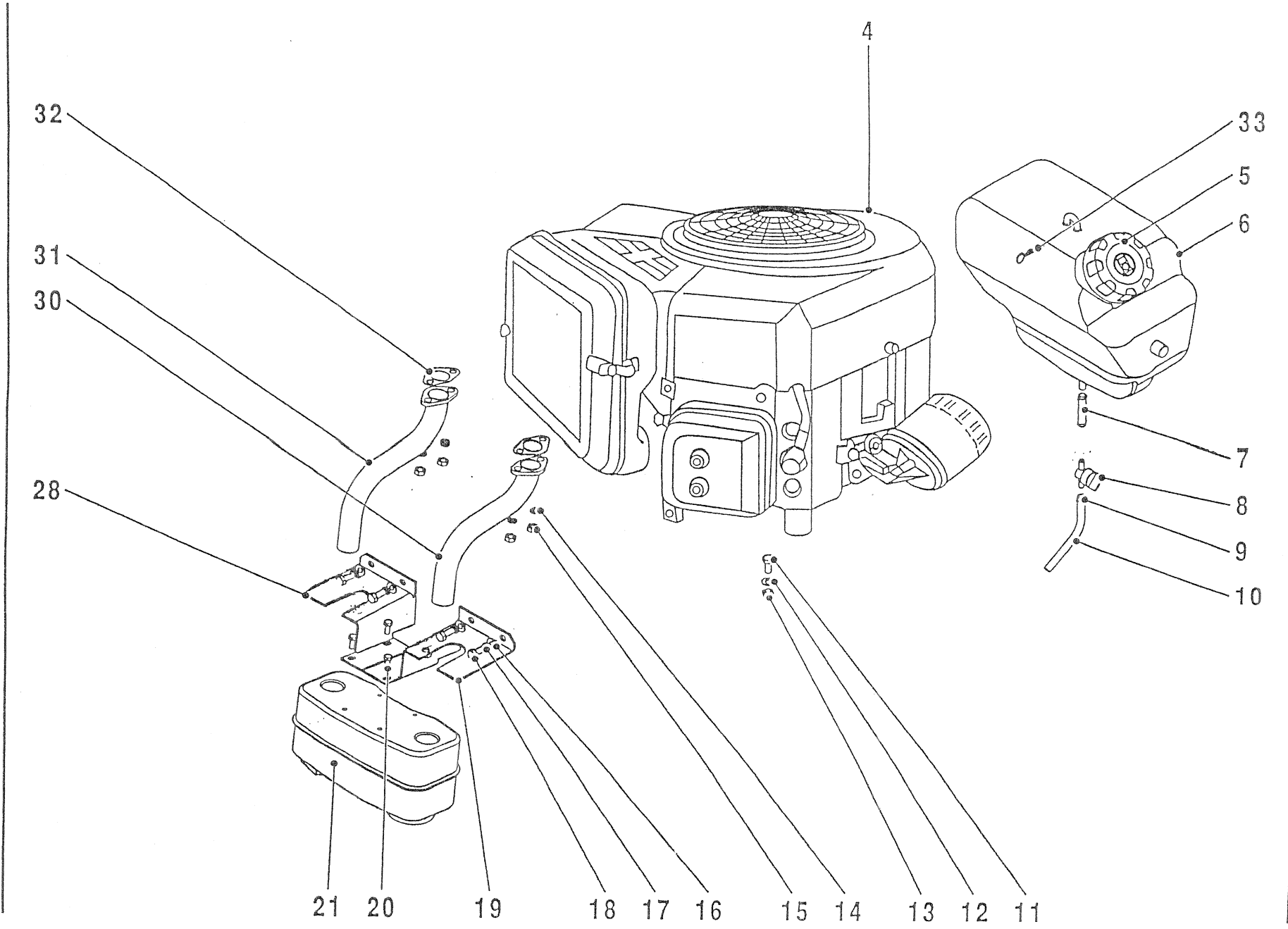


Fig. 004_3

6420-H

Engine Assembly 20 HP HONDA

20 HP

Section 1

GRP	POS.	PART NO.	DESCRIPTION	Q.TY	CODE
1	4	570022003	Engine HONDA GXV 620 - QAF	1	
1	5	000900955	Fuel tank cap	1	* 1
1	6	000490644	Fuel tank	1	* 1
1	7	000008646	Fuel line 70mm	1	
1	8	000476300	Fuel tank valve	1	
1	9	000318164	Fule line clamp UM 5008	4	
1	10	000084205	Fuel line 21 Omm	1	
1	11	000299530	Hex screw M8x35 DIN 933 8.8	4	
1	12	000201003	Spring washer 8 DIN 127 B	4	
1	13	000272503	Hex nut M8 DIN 934 Cl.8	4	
1	14	000201003	Spring washer 8 DIN 127 B	4	
1	15	231408008	Hex nut M8 DIN 6923	4	
1	16	000291500	Flat washer 8.4 DIN 125 A	4	
1	17	000201003	Spring washer 8 DIN 127 B	4	
1	18	000244563	Hex screw M8 x 20 DIN 933 8.8	4	
1	19	195800062	Muffler heat guard, left	1	
1	20	505900065	Tapite thread form screw 1/4"-20 - 1/2	4	
1	21	505900054	Muffler 20HP 24500N	1	
1	28	195800926	Muffler heat guard, right	1	
1	30	595900099	Exhaust tube, left -HONDA	1	
1	31	595900100	Exhaust tube, right -HONDA	1	
1	32	571002002	Exhaust gasket 20 HP -HONDA	2	
1	33	000033242	Hair pin clip	1	
	* 1	195800844	Fuel tank with cap	1	see it.5, 6

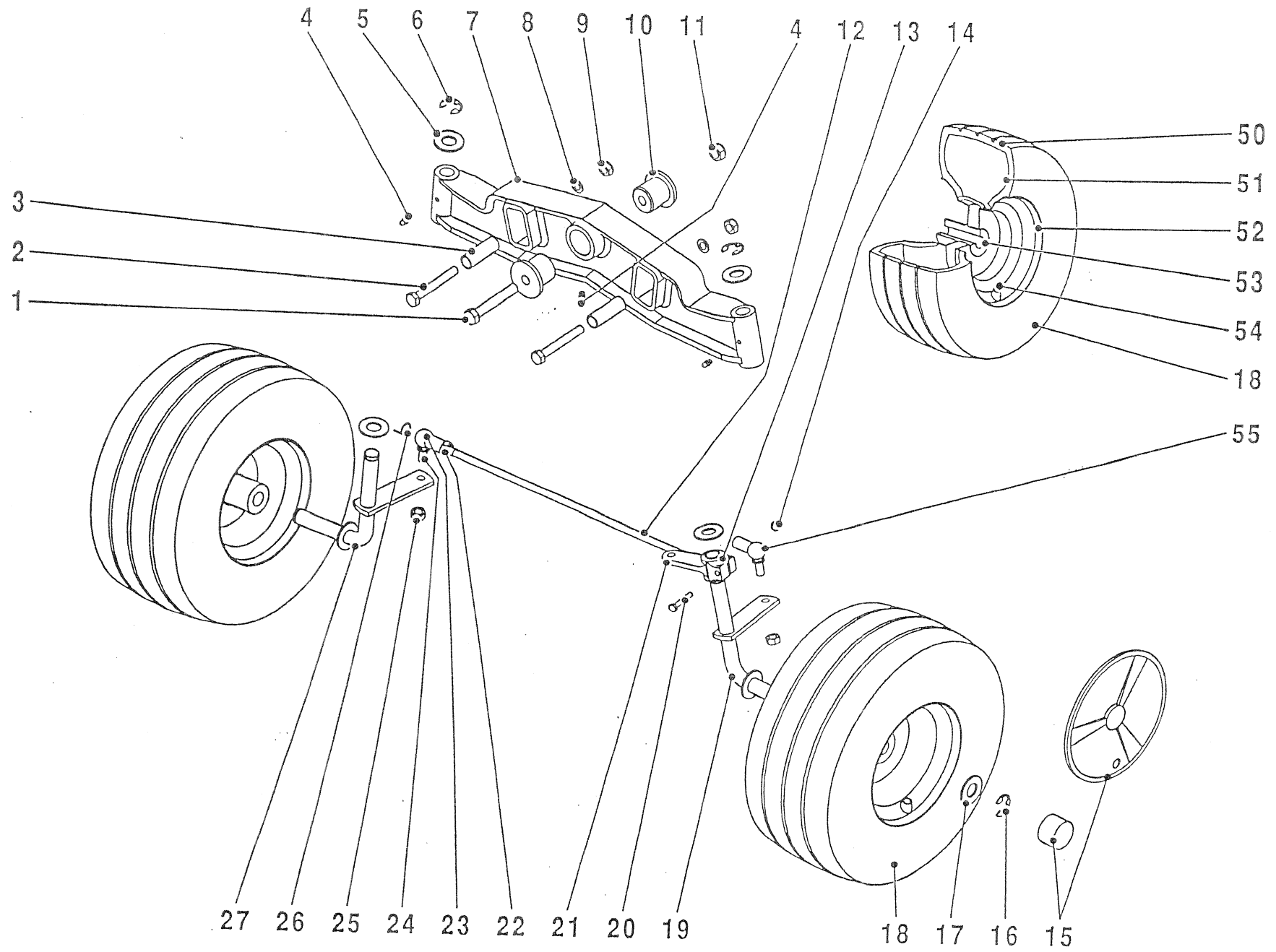


Fig. 025_2

Front axle - steering

Section 2

GRP	POS.	PART NO.	DESCRIPTION	Q. TY	CODE
2	1	221012090	Hex screw M12x90 DIN 931 8.8	1	
2	2	000241769	Hex Screw M10x80 DIN 931 8.8	2	
2	3	000091531	Spacer	2	
2	4	000740113	Grease fitting MK 6x1	3	
2	5	000295966	Flat washer 19 DIN 125 A	4	
2	6	000230230	Spring clip 15 DIN 6799	2	
2	7	000093852	Front axle	1	
2	8	000292061	Flat washer 10.5 DIN 125 A	2	
2	9	000281446	Self-locking nut M10 DIN 985 Cl.8	2	
2	10	505900004	Front axle bushing	2	
2	11	000282557	Self-Locking nut M12 DIN 982 Cl.8	1	
2	12	000069080	Tie rod front axle	1	
2	13	000207152	Square key 5x7.5 DIN 6888	1	
2	14	000283118	Self-locking nut M6 DIN 985 Cl.8	1	
2	15	195800841	Full disc hub cup	2	alternative
2	15	000407121	Hub cap 1-1/2 Sc	2	alternative
2	16	000230230	Spring Clip 15 DIN 6799	2	
2	17	000096349	Washer	2	
2	18	000752114	Front tyre wheel assy. 16x6.5-8	2	
2	19	000955691	Spindle, left	1	
2	20	221006045	Hex screw M6x45 DIN 931 8.8	1	
2	21	000057343	Steering spindle lever	1	
2	22	000273625	Hex nut M10 DIN 934 Cl.8	4	
2	23	000742907	Ball angle housing 16 DIN 71805 B	4	see it. 55
2	24	000741796	Ball stud 16 DIN 71803 C	4	see it. 55
2	25	000270325	Self-locking nut M10 tensilock Cl.8	4	
2	26	000235246	Locking stirrups 16 DIN 71805 S	4	see it. 55
2	27	000955130	Spindle, right	1	
2	50	000487949	Tyre 16 x 6.50 - 8	2	*
2	51	000415426	Tube 16x6.50-8	2	*
2	52	000732050	Wheel 16x6.50-8	2	*
2	53	000794497	Front wheel bushing	2	*
2	54	000410410	Tyre valve compl.	2	*
2	55	195800901	Ball angle joint 16 - complete	4	

* service parts only

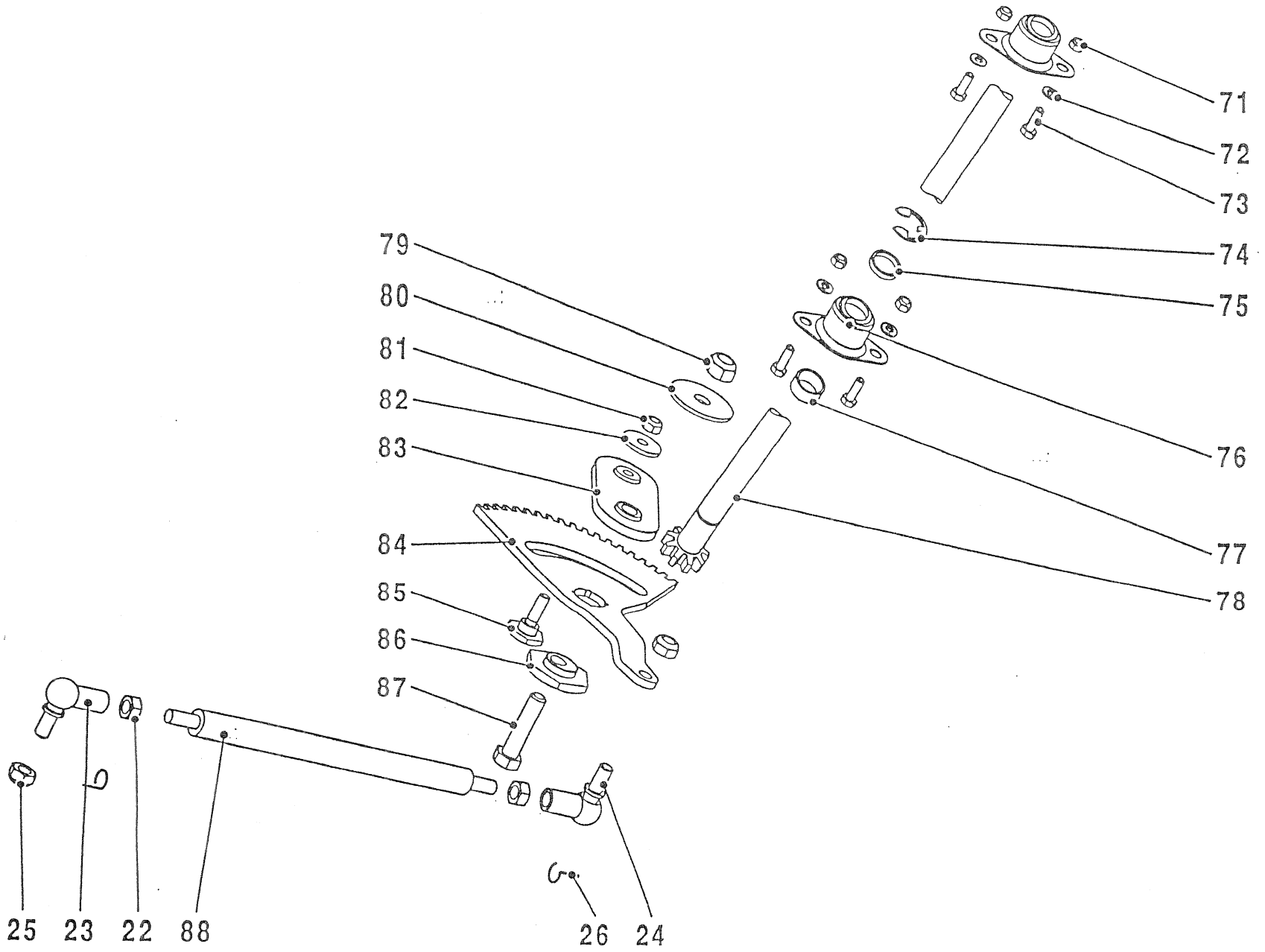


Fig. 018_2

Front axle - steering

Section 2

GRP	POS.	PART NO.	DESCRIPTION	Q.TY	CODE
2	71	000280885	Self-locking nut M8 DIN 985 Cl.8	4	
2	72	000291500	Flat washer 8.4 DIN 125 A	4	
2	73	000244563	Hex screw M8x20 DIN 933 8.8	4	
2	74	000230230	Spring clip C15 DIN 6799	1	
2	75	105800970	Spacer, upper	1	
2	76	505900002	Spherical bearing FJB 12	2	
2	77	105800969	Spacer, lower	1	
2	78	195800919	Steering shaft pinion gear	1	
2	79	000282557	Self-locking nut M12 DIN 982 Cl.8	1	
2	80	505900043	Eccentric bolt washer 12.4x50x3	1	
2	81	000280885	Self-locking Nut M8 DIN 982 Cl.8	1	
2	82	000298760	Flat washer 8.4 DIN 9021 B	1	
2	83	505900038	Steering plate	1	
2	84	000040667	Sector gear	1	
2	85	505900017	Shoulder bolt	1	
2	86	000047366	Eccentric	1	
2	87	221012045	Hex screw M12x45 DIN 931 8.8	1	
2	88	000050413	Drag link	1	

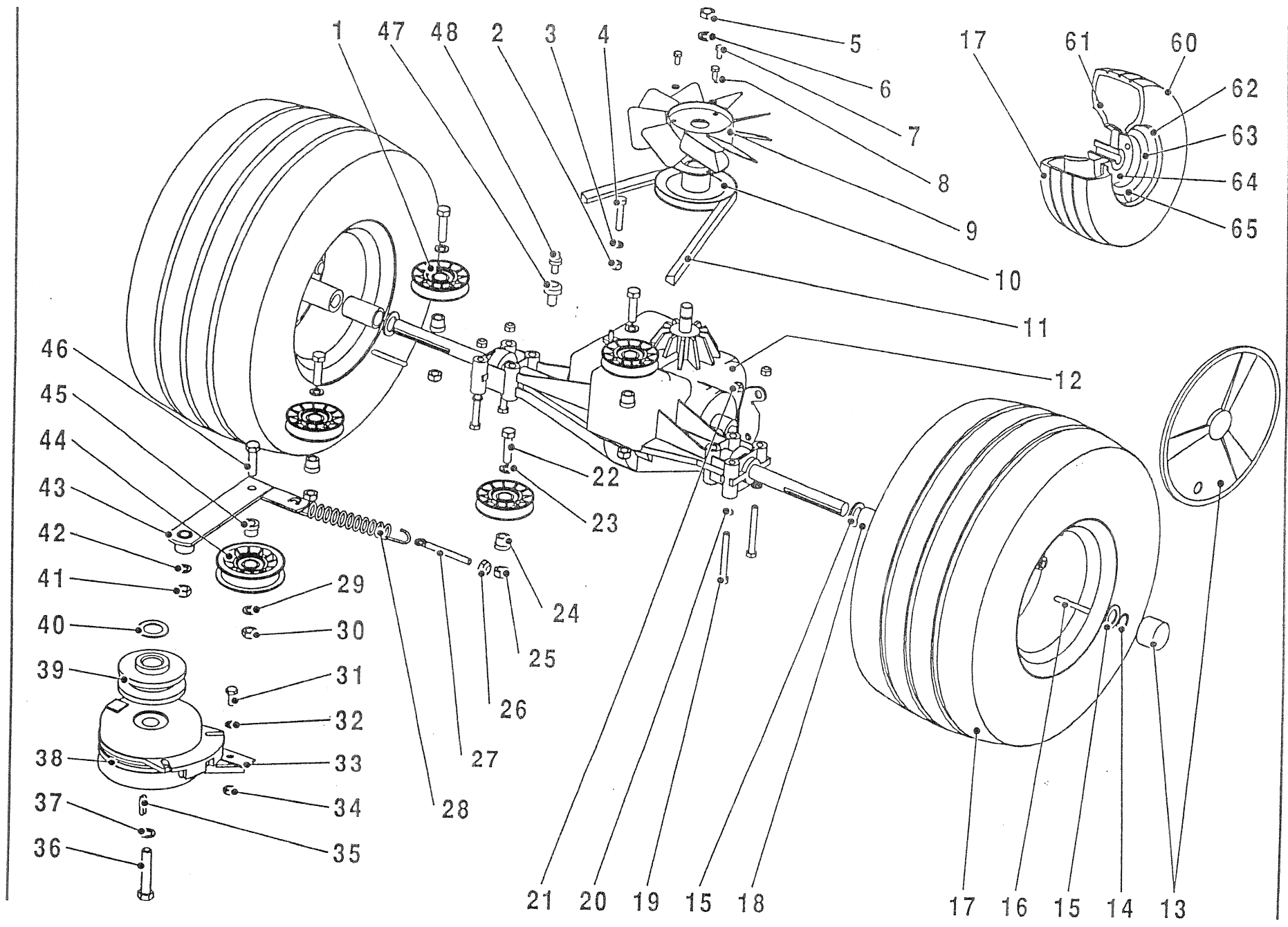


Fig. 027_3

Transmission drive

Section 3

GRP	POS.	PART NO.	DESCRIPTION	Q.TY	CODE
3	1	505900074	Idler pulley V3000-3316-steel	4	
3	2	000280885	Self locking nut M8 DIN 985 Cl.8	1	
3	3	000291500	Flat washer 8.4 DIN 125 A	1	
3	4	000228096	Hex screw M8 x 40 DIN 931 8.8	1	
3	5	000246554	Nut 1/2-20 UNF	1	
3	6	000226270	Serrated lock washer 13 DIN 6798 A	1	
3	7	000218328	Hex screw M6 x 14 DIN 933 8.8	3	
3	8	000200442	Spring washer 6 DIN 127 B	3	
3	9	000459030	Fan 50307	1	
3	10	000943283	Transmission pulley 4"	1	
3	11	000346093	V-Belt SPA 12.5 x 2707LW Mitsubishi	1	
3	12	000330803	Transmission HYDRO_GEAR 328-0650	1	
3	13	195800841	Full disc hub cup	2	alternative
3	13	000407121	Hub cap SC 1-1/2 - black	2	alternative
3	14	000230230	Spring clip 15 DIN 6799	2	
3	15	000096349	Washer	4	
3	16	000299299	Square key 3/16x3/16x2.5	2	
3	17	000728959	Rear tyre - wheel assy. 20x10.00-8	2	
3	18	000086394	Spacer, axle	2	
3	19	000280731	Hex screw M8x80 DIN 931 8.8	4	
3	20	000291500	Flat washer 8.4 DIN 125 A	4	
3	21	000280885	Self locking nut M8 DIN 985 Cl.8	4	
3	22	000238414	Hex screw M10 x 40 DIN 931 8.8	4	
3	23	000292061	Flat washer 10.5 DIN 125 A	4	
3	24	000091993	Idler bushing	4	
3	25	000281446	Self locking nut M10 DIN 985 Cl.8	4	
3	26	000281446	Self locking nut M10 DIN 985 Cl.8	1	
3	27	000910283	Eye bolt M10x50x14 - Zc	1	
3	28	000320870	Spring	1	
3	29	000292061	Flat washer 10.5 DIN 125 A	1	
3	30	000281446	Self locking nut M10 DIN 985 Cl.8	1	
3	31	000244563	Hex screw M8x20 DIN 933 8.8	1	
3	32	000291500	Flat washer 8.4 DIN 125 A	1	
3	33	000924605	Retainer	1	
3	34	000280885	Self locking nut M8 DIN 985 Cl.8	1	
3	35	000273955	Square key 1/4x1/4x1-1/8	1	
3	36	000294833	Clutch bolt 7/16-20x2-1/2 LG	1	
3	37	000276012	Spring washer 7/16	1	
3	38	000892595	El. magnet clutch Warner 5217-9	1	
3	39	000905432	Engine pulley	1	
3	40	105800972	Engine pulley spacer	1	
3	41	000280885	Self locking nut M8 DIN 985 Cl.8	1	
3	42	000298760	Flat washer 8.4 DIN 9021 B	1	
3	43	195800957	Idler arm	1	
3	44	000786445	Idler pulley F 3000-0750	1	
3	45	000091993	Idler bushing	1	
3	46	000238414	Hex screw M10 x 40 DIN 931 8.8	1	
3	47	505900068	Bushing Vent , H - G	1	

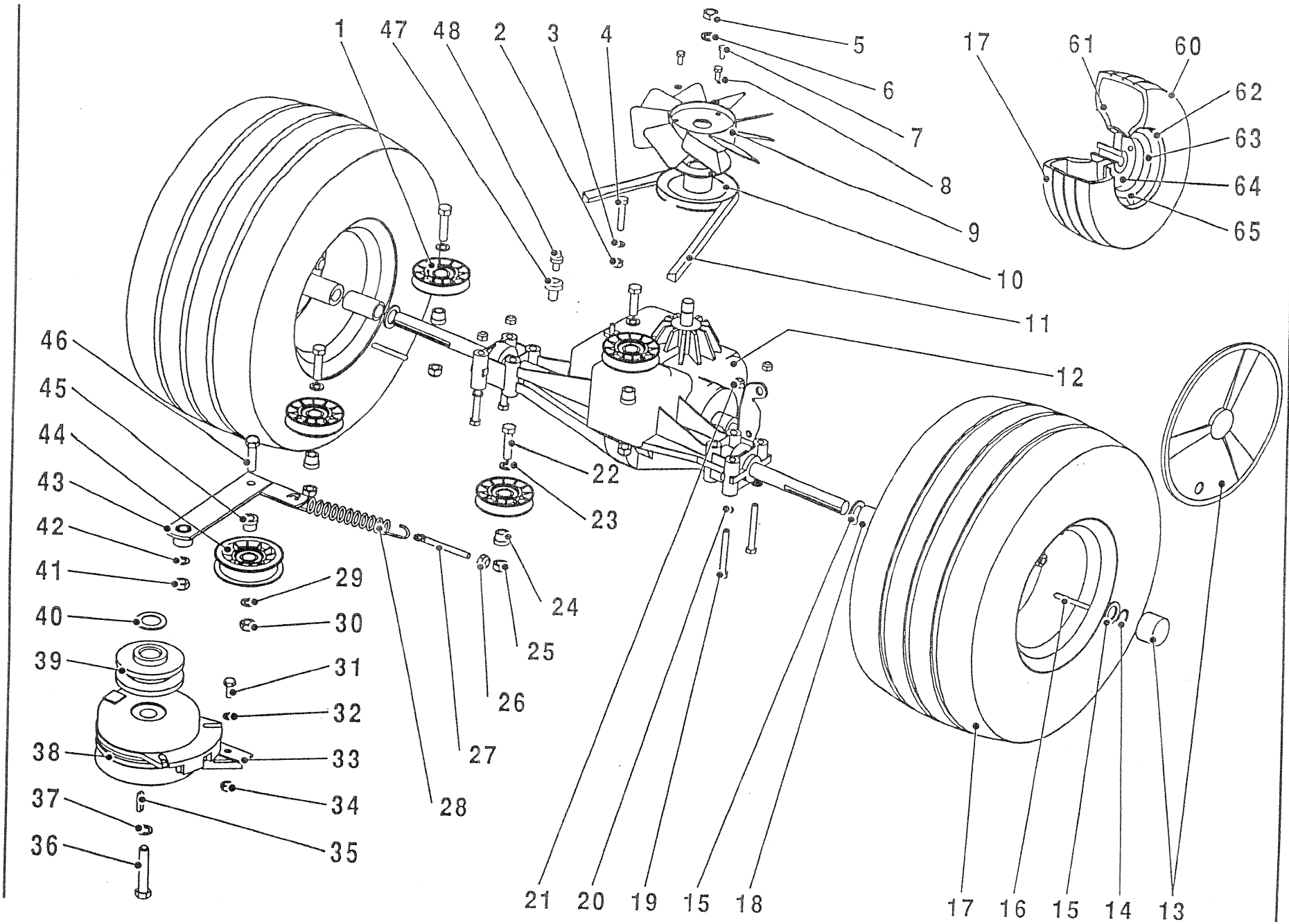


Fig. 027_3

Transmission drive

Section 3

GRP	POS.	PART NO.	DESCRIPTION	Q.TY	CODE
3	48	5059000069	Vent, H -G	1	*
3	60	000422939	Tyre 20x10.00-8	2	*
3	61	000496826	Tube 20x10.00-8	2	*
3	62	5059000079	Rim 20x10.00-8	2	* 1
3	63	5059000080	Hub wheel	2	* 1
3	64	5059000081	Wheel nut	4	* 1
3	65	000410410	Tyre valve complete	2	*
* 1		5059000083	Rim complete without tyre	2	
			* service parts only		

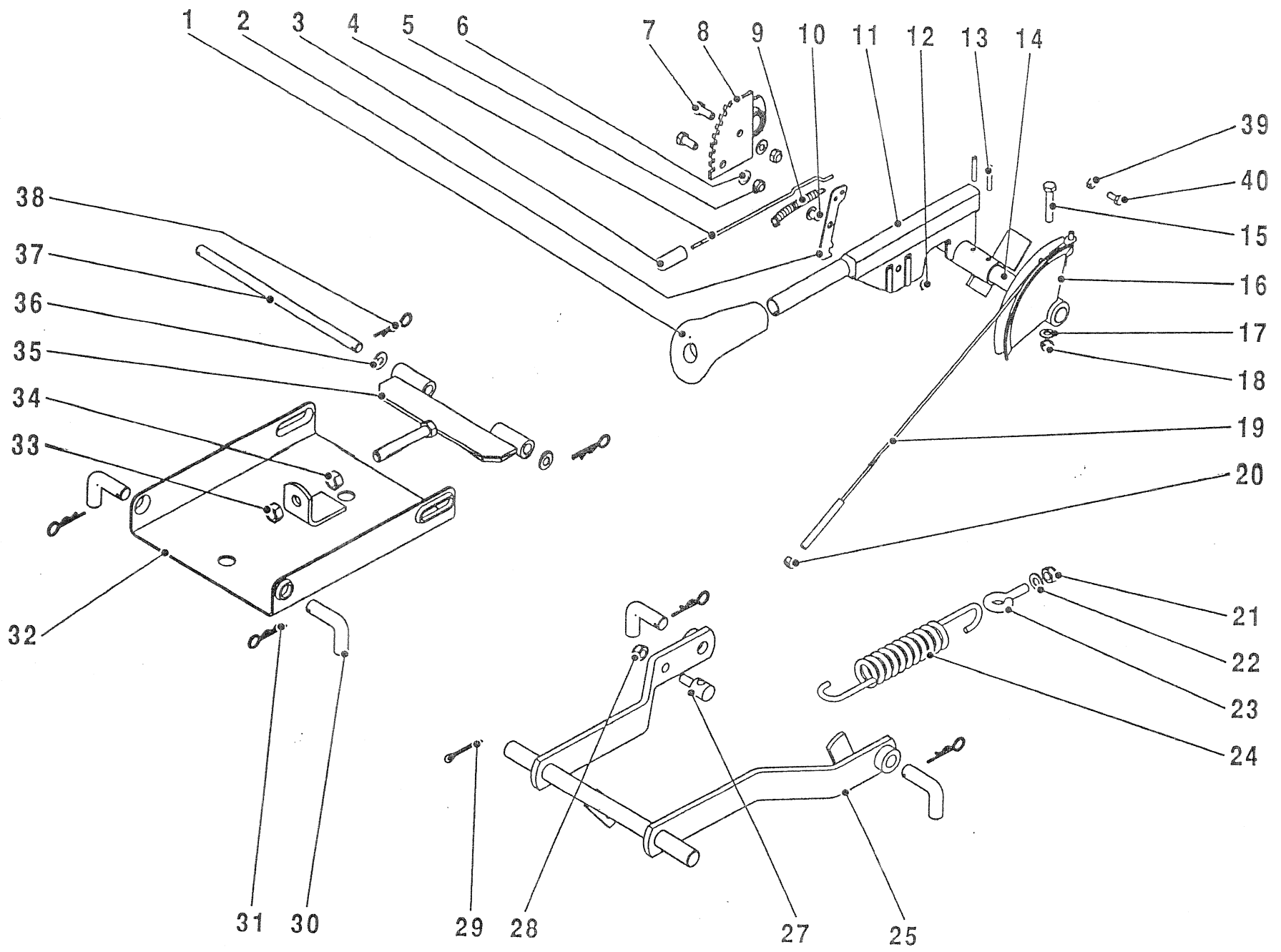


Fig. 015_1

Operation (mower lift)

Section 4

GRP	POS.	PART NO.	DESCRIPTION	Q.TY	CODE
4	1	000920590	Handle grip - black	1	
4	2	000015994	Ratchet pivot plate	1	
4	3	000403535	Plunger button - black	1	
4	4	000045639	Connection rod	1	
4	5	000280885	Self-locking nut M8 DIN 985 Cl.8	2	
4	6	271030008	Flat washer 8 BN 739	2	
4	7	000244563	Hex screw M8x20 DIN 933 8.8	2	
4	8	195800133	Hex screw M8x20 DIN 933 8.8	2	
4	9	000001485	Gear segment	1	
4	10	105800953	Spring	1	
4	11	000926222	Arm lever pin	1	
4	12	275200006	Height adjustment arm lever	1	
4	13	000324467	Clip for pin 6 DIN 6799	1	
4	14	105800138	Spring pin 5x30 DIN 7346	1	
4	15	221108045	Height adjuster shaft	1	
4	16	195800986	Hex screw M8x45 DIN 931 10.9	1	
4	17	000291500	Segment-cable guide	1	
4	18	000280885	Flat washer 8.4 DIN 125 A	1	
4	19	505900091	Self-locking nut M8 DIN 985 Cl.10	1	
4	20	505900047	Height adjustment cable assy.	1	
4	21	000281446	Self-locking nut 5/16-18	1	
4	22	000292061	Self-locking nut M10 DIN 982 Cl.8	1	
4	23	000910283	Flat washer 10.5 DIN 125 A	1	
4	24	000080608	Eye bolt M10x50x14 - Zc	1	
4	25	000957110	Lift spring	1	
4	27	000072985	Pivot arm assy	1	
4	28	000281446	Lifting pin	1	
4	29	000235323	Self-locking nut M10 DIN 982 Cl.8	1	
4	30	000952193	Cotter pin 5x50 DIN 94	1	
4	31	000033242	Bent pin	4	
4	32	000965305	Hair pin 214 (CP85H)	4	
4	33	000282557	Front suspension mower deck	1	
4	34	000228019	Self-locking nut M12 DIN 985 Cl.8	1	
4	35	000918005	Hex nut M12 DIN 934 Cl.8	1	
4	36	000293172	Front holder	1	
4	37	000037246	Flat washer 13 DIN 125 A	2	
4	38	000075812	Pin	1	
4	39	000285912	Hair pin clip, H.D.	2	
4	40	000286605	Self locking nut M5 DIN 985 Cl.8	1	
4			Hex screw M5x25 DIN 933 8.8	1	

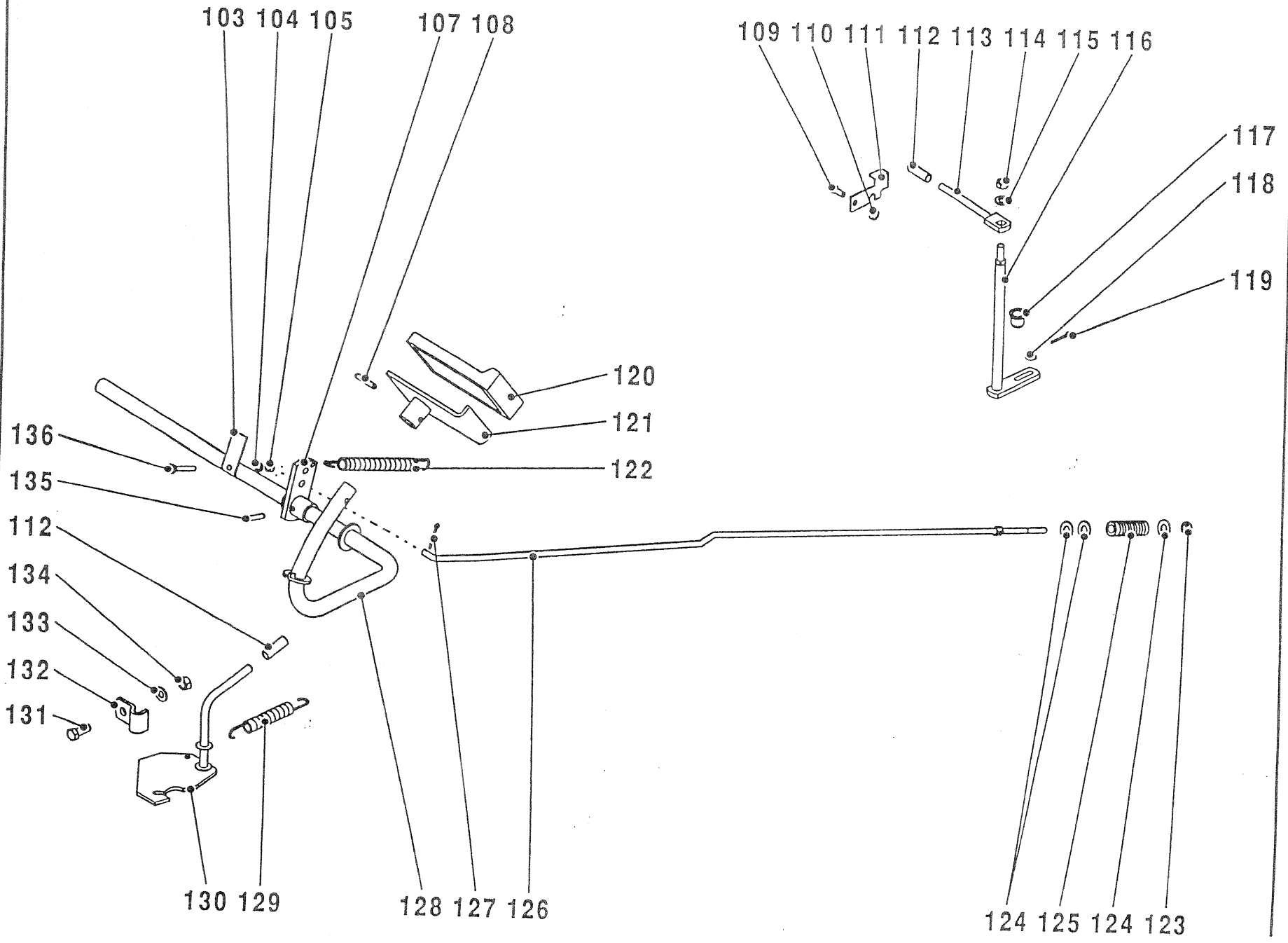


Fig. 020_1

Operation /Brake/

Section 4

GRP	POS.	PART NO.	DESCRIPTION	Q.TY	CODE
4	103	505800975	Spring lever	1	
4	104	000200090	Flat washer 4.3 DIN 125 A	2	
4	105	000284240	Self locking nut M4 DIN 982 Cl.8	1	
4	107	195800892	Bracket, brake rod	1	
4	108	000324467	Spring pin 5 x 30 DIN 7346	1	
4	109	000284449	Hex screw M6 x 16 DIN 933 8.8	1	
4	110	000283118	Self locking nut M6 DIN 985 Cl.8	1	
4	111	000023969	Ratchet pivot plate	1	
4	112	000406560	Brake knob s-cap 281x1-1/2 LG - black	2	
4	113	000972367	Lever bypass	1	
4	114	000280885	Self locking nut M8 DIN 985 Cl.8	1	
4	115	000291500	Flat washer 8.4 DIN 125 A	1	
4	116	000985545	Arm lever	1	
4	117	000070719	Bushing	2	
4	118	000298210	Flat washer 6.4 DIN 9021 B	1	
4	119	282016016	Cotter pin 1.6 x 16 DIN 94	1	
4	120	000411312	Pedal pad - black	1	
4	121	195800998	Pedal	1	
4	122	000013530	Spring	1	
4	123	000280885	Self locking nut M8 DIN 985 Cl.8	1	
4	124	000291500	Flat washer 8.4 DIN 125 A	3	
4	125	000054340	Brake spring	1	
4	126	105800959	Brake connecting rod	1	
4	127	282002018	Cotter pin 2 x 18 DIN 94	1	
4	128	195800968	Brake - shaft	1	
4	129	000060280	Hand brake spring	1	
4	130	195800964	Hand brake lever	1	
4	131	000244563	Hex screw M8 x 20 DIN 933 8.8	1	
4	132	000048400	Parking brake lever clamp	1	
4	133	000291500	Flat washer 8.4 DIN 125 A	1	
4	134	000280885	Self locking nut M8 DIN 985 Cl.8	1	
4	135	000291610	Spring pin 5 x 22 DIN 1481	1	
4	136	220004025	Hex screw M4 x 25 DIN 933 8.8	1	

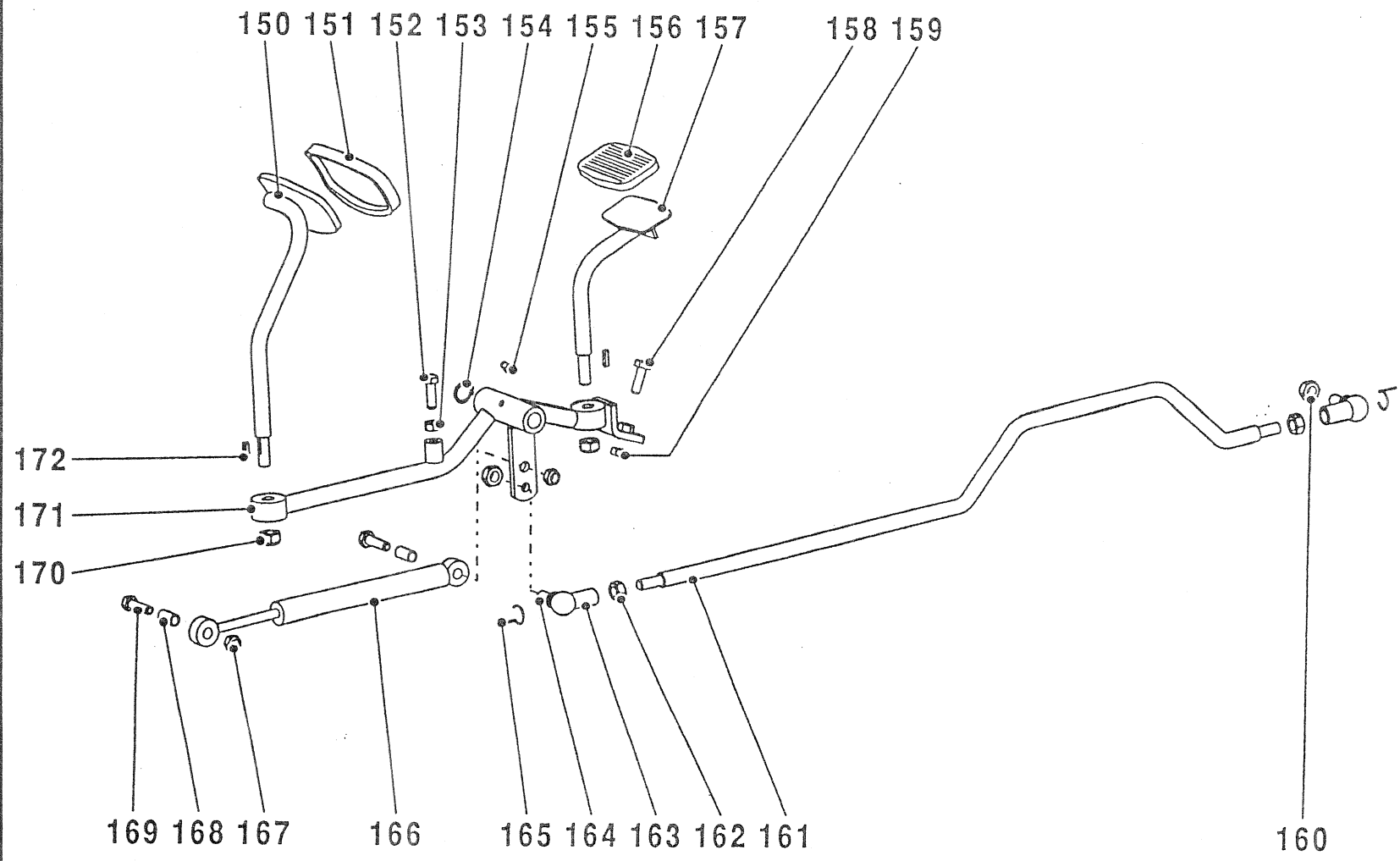


Fig. 016

Operation - Travel pedals

Section 4

GRP	POS.	PART NO.	DESCRIPTION	Q.TY	CODE
4	150	000977372	Travel pedal - front	1	
4	151	000466774	Pedal pad	1	
4	152	000246235	Hex screw M8 x 25 DIN 933 8.8	1	
4	153	000272503	Hex nut M8 DIN 934 Cl.8	1	
4	154	000201168	Locking ring 16 DIN 471	1	
4	155	000740113	Grease fitting MK 6 x 1	1	
4	156	000406901	Pedal pad - Skoda	1	
4	157	000969309	Pedal travel - rear	1	
4	158	000276947	Hex screw M8 x 50 DIN 933 8.8	1	
4	159	000272503	Hex nut M8 DIN 934 Cl.8	1	
4	160	000270325	Self locking nut M10 Tensilock Cl.8	2	
4	161	000064372	Tie rod	1	
4	162	000273625	Hex nut M10 DIN 934 Cl.8	2	
4	163	0007442907	Ball angle housing 16 DIN 71805 B	2	
4	164	000741796	Ball stud 16 DIN 71803 C	2	
4	165	000235246	Locking stirrups 16 DIN 71805 S	2	
4	166	000719422	Damper, gas shock XP-3293	1	
4	167	000280855	Self locking nut M8 DIN 985 Cl.8	2	
4	168	000029425	Bushing	2	
4	169	000245124	Hex screw M8 x 30 DIN 933 8.8	2	
4	170	000281446	Self locking nut M10 DIN 985 Cl.8	2	
4	171	000948321	Travel lever	1	
4	172	000365519	Key 4h9 x 4 x 16 DIN 6885 A	2	

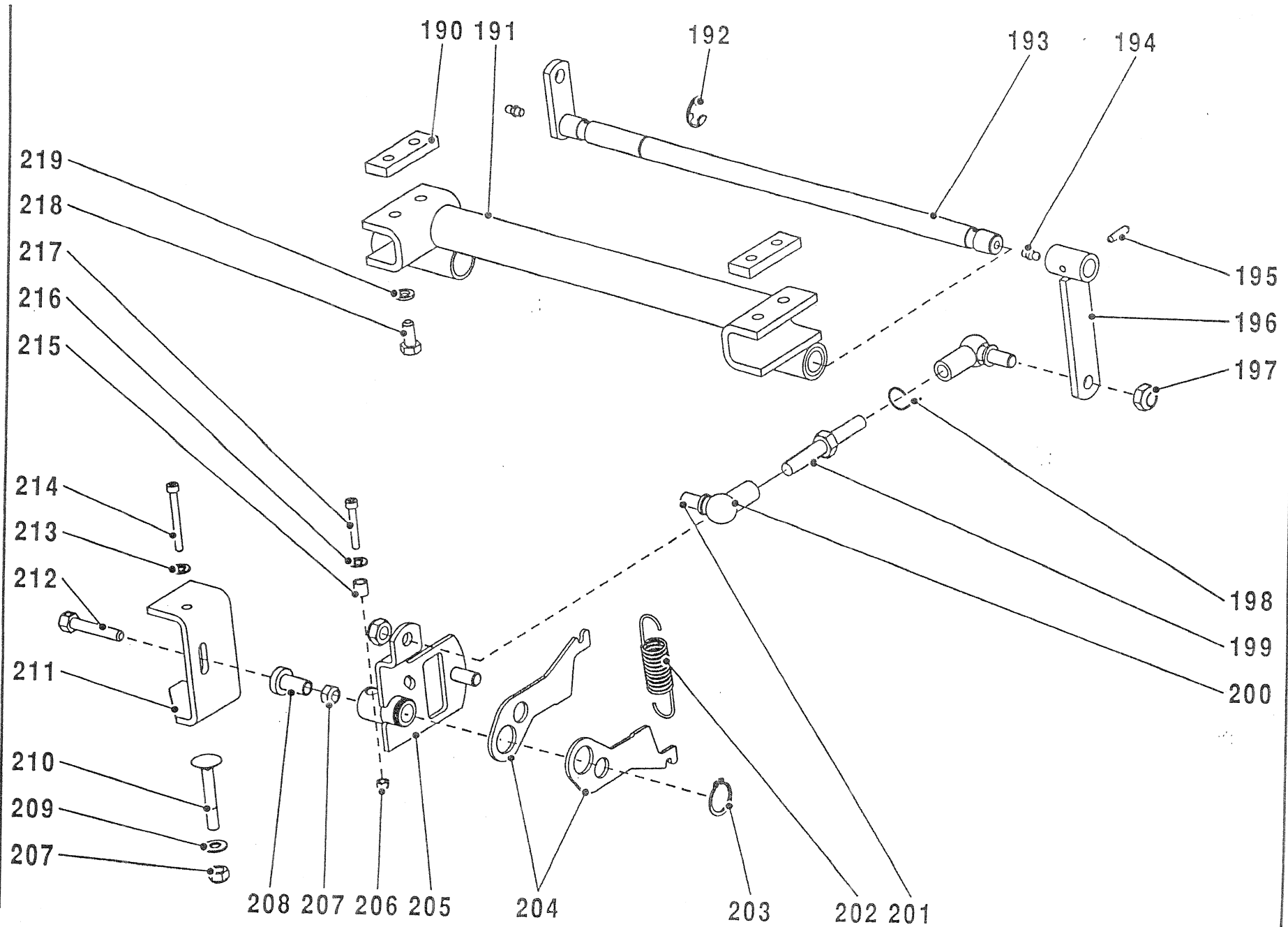
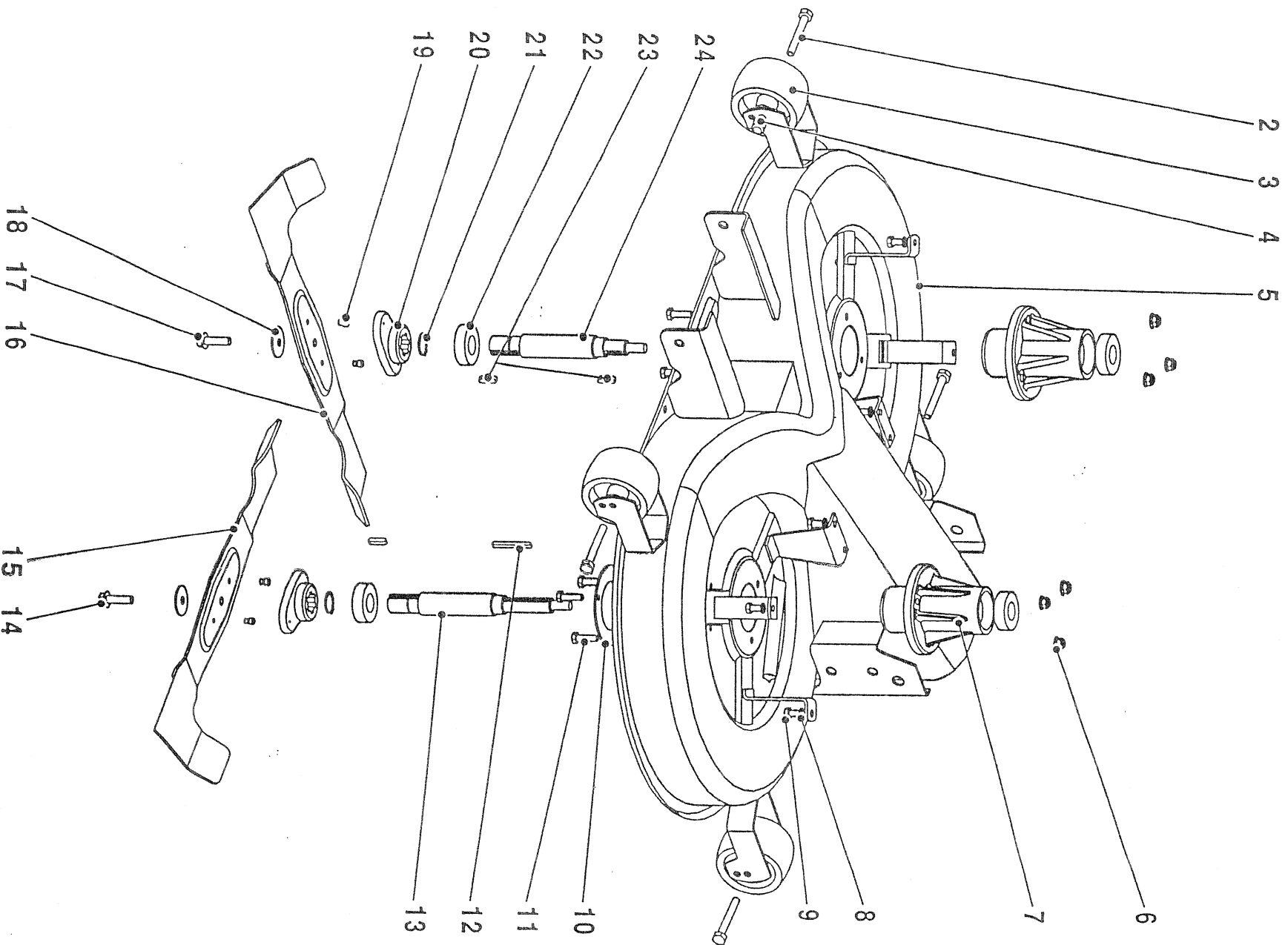


Fig. 021

Operation - Hydrostatic
- Transaxle control
Section 4

GRP	POS.	PART NO.	DESCRIPTION	Q.TY	CODE
4	190	000015433	Filler	2	
4	191	000938564	Diagonal shaft	1	
4	192	000218845	Locking ring 12 DIN 6799	1	
4	193	000902462	Shaft	1	
4	194	000740113	Grease fitting MK 6 x 1	2	
4	195	000291610	Spring pin 5 x 22 DIN 7346	1	
4	196	000909887	Lever	1	
4	197	000270325	Self locking nut M10 Tensilock Cl.8	2	
4	198	000235246	Locking stirrups 16 DIN 71805 S	2	
4	199	195800978	Threaded pin	1	
4	200	000742907	Ball angle joint 16 DIN 71805 B	2	
4	201	000741796	Ball angle joint 16 DIN 71803 C	2	
4	202	000340736	Spring	1	
4	203	000237413	Locking ring 22 DIN 471	1	
4	204	000016621	Arm	2	
4	205	195800971	Multiple frame	1	
4	206	000285912	Self locking nut M5 DIN 982 Cl.8	1	
4	207	000280885	Self locking nut M8 DIN 985 Cl.8	2	
4	208	000098241	Bushing	1	
4	209	000291500	Flat washer 8.4 DIN 125 A	1	
4	210	000225401	Carriage bolt M8 x 60 DIN 603 6.8	1	
4	211	000055649	Holder	1	
4	212	000026818	Screw M8 U	1	
4	213	000289828	Flat washer 5.3 DIN1 25 A	1	
4	214	000036630	Socket head cap screw M5 x 50	1	
4	215	000017787	Bushing	1	
4	216	000237325	Toothed washer 5.3 DIN 6798 A	1	
4	217	000236500	Socket head cap screw M5 x 35 DIN 912 8.	1	
4	218	000221089	Hex screw M8 x 18 DIN 933 8.8	4	
4	219	000201003	Spring washer 8 DIN 127 B	4	

Fig. 023



Operation - cutting pan

Section 5

GRP	POS.	PART NO.	DESCRIPTION	Q.TY	CODE
5	1	195890005	Cutting system, complete	1	* 2
5	2	221010090	Hex screw M10x90 DIN 931 8.8	4	
5	3	105700018	Gauge wheel	4	
5	4	000281446	Self-locking nut M10 DIN 985 Cl.8	4	
5	5	195800983	Mower housing, complete	1	
5	6	232108008	Self locking flange nut M8 DIN 6926 Cl.8	6	
5	7	000015532	Quill housing	2	
5	8	000291500	Flat washer 8.4 DIN 125 A	8	
5	9	000244563	Hex screw M8x20 DIN 933 8.8	8	
5	10	505900059	Ring support	2	
5	11	222008035	Hex flange bolt M8x35 DIN 6921 8.8	6	
5	12	000106590	Key 6h9x6x56 DIN 6885 A	1	
5	13	105800988	Blade shaft, left	1	
5	14	000233453	Hex screw M10x1x35	1	
5	15	505900031	Blade," ROUGH-CUT" - left	1	* 1
5	16	505900030	Blade," ROUGH-CUT" - right	1	* 1
5	17	000245025	Hex screw M10x1x35, left	1	
5	18	505900073	Belleville washer 5808-147-109	2	
5	19	000281490	Grooved shear pin	4	
5	20	000010945	Blade adaptor	2	
5	21	000296076	Locking ring 25 DIN 471	2	
5	22	000772321	Bearing 6205 A 2RS	4	
5	23	000206030	Square key 6h9x6x25 DIN 6885 A	3	
5	24	105800987	Blade shaft, right	1	

NOTE:

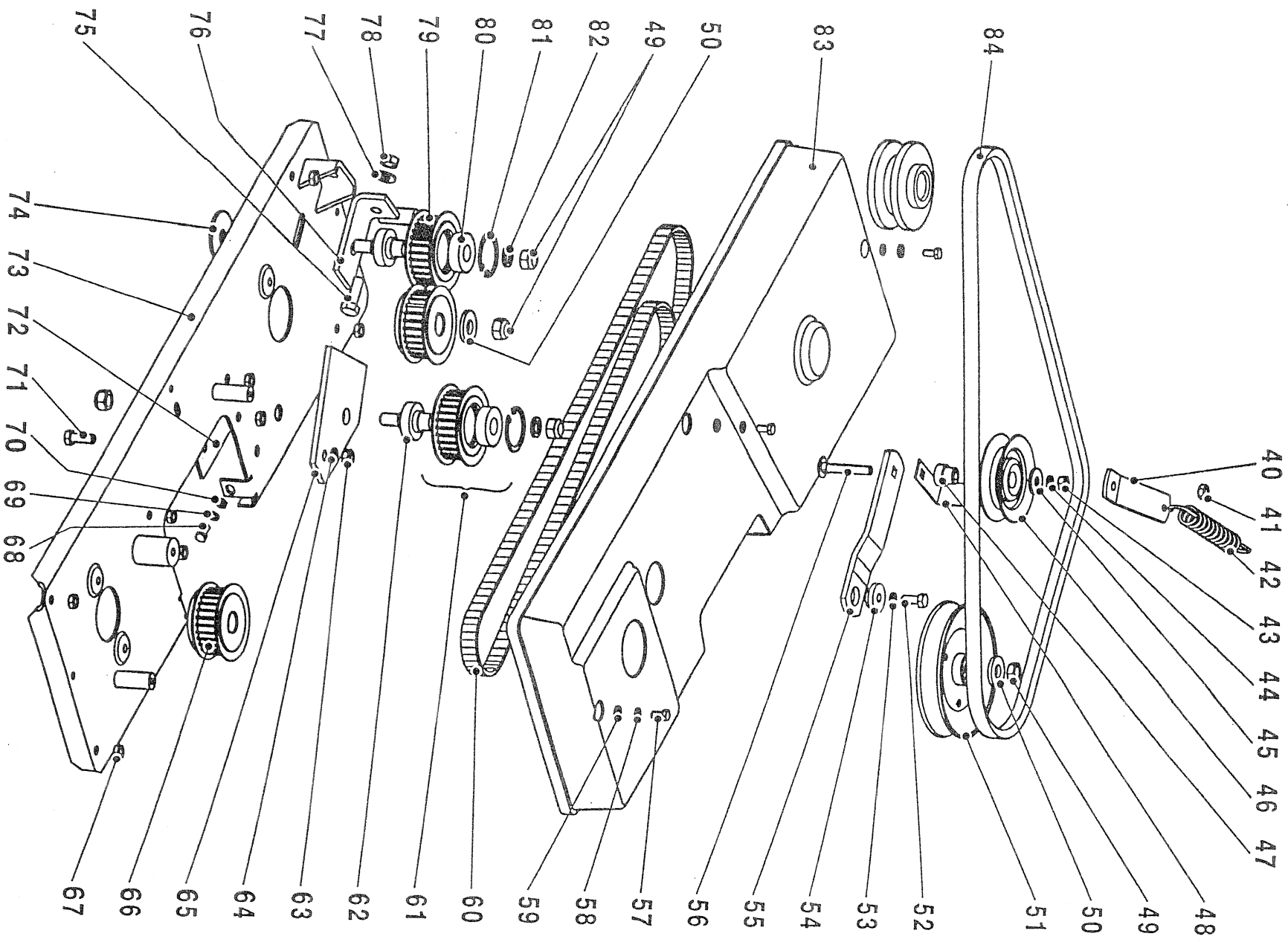
* 1 195890012

KIT #28 - contain set of "SMOOTH-CUT" blades inclusive of blade adaptor and shear pins.

* 2

Without Pos. 84 (V - belt 17x)

Fig. 022_1



Cutting pan

Section 5

GRP	POS.	PART NO.	DESCRIPTION	Q.TY	CODE
5	40	000013783	Engagement lever	1	
5	41	000280885	Self locking nut M8 DIN 985 Cl.8	1	
5	42	000320870	Spring	1	
5	43	000224730	Hex nut M8 DIN439 Cl.04	1	
5	44	000201003	Spring washer 8 DIN 127 B	1	
5	45	000298760	Flat washer 8.4 DIN 7349	1	
5	46	000785884	Idler pulley W3500 - 3712	1	
5	47	105800931	Bushing	1	
5	48	105800943	Belt retainer	1	
5	49	000282557	Self locking nit M12 DIN 985 Cl.8	5	
5	50	000078573	Flat washer	2	
5	51	000903606	Drive pulley	1	
5	52	000246235	Hex screw M8 x 25 DIN 933 8.8	1	
5	53	000201003	Spring washer 8 DIN 127 B	1	
5	54	000069729	Shoulder spacer	1	
5	55	105800944	Idler arm	1	
5	56	221008050	Hex screw M8 x 50 DIN 931 8.8	1	
5	57	000284449	Hex screw M6 x 16 DIN 933 8.8	3	
5	58	000200442	Spring washer 6 DIN 127 B	3	
5	59	105800863	Rubber washer 6.4	3	
5	60	410201760	Cog belt 20DS 8M 1760 Mitsuboshi	1	
5	61	195800954	Cog pulley assy	2	
5	62	105800928	Cog pulley pin	2	
5	63	000280885	Self locking nut M8 DIN 985 Cl.8	1	
5	64	000291500	Flat washer 8.4 DIN 125 A	1	
5	65	105800945	Pulley support	1	
5	66	000993663	Drive cog pulley 28	2	
5	67	000280885	Self locking nut M8 DIN 985 Cl.8	8	
5	68	240306016	Carriage bolt M6 x 16 DIN 603 6.8	1	
5	69	000290389	Flat washer 6.4 DIN 125 A	1	
5	70	000283118	Self locking nut M6 DIN 985 Cl.8	1	
5	71	000246235	Hex screw M8 x 25 DIN 933 8.8	1	
5	72	105800946	Flat washer	1	
5	73	195800950	Blade drive plate assy	1	
5	74	505900043	Cog pulley washer	1	
5	75	220010045	Hex screw M10 x 45 DIN 933 8.8	1	
5	76	105800947	Bracket idler	1	
5	77	000292061	Flat washer 10.5 DIN 125 A	1	
5	78	000281446	Self locking nit M10 DIN 985 Cl.8	1	
5	79	195800887	Cog pulley 28	2	
5	80	505900082	Bearing 6203A 2RS	2	
5	81	275100040	Locking ring 40 DIN 472	2	
5	82	000293172	Flat washer 13 DIN 125 A	4	
5	83	105700013	Belt cover - black	1	
5	84	000492063	V-Belt 17 x 1350 B53 - Mitsuboshi	1	* 1
5	84	000433103	V-Belt 17 x 1400 B55 - Mitsuboshi	1	* 2

* 1 - for 6018-H, 6420-H

* 2 - for 6017-H

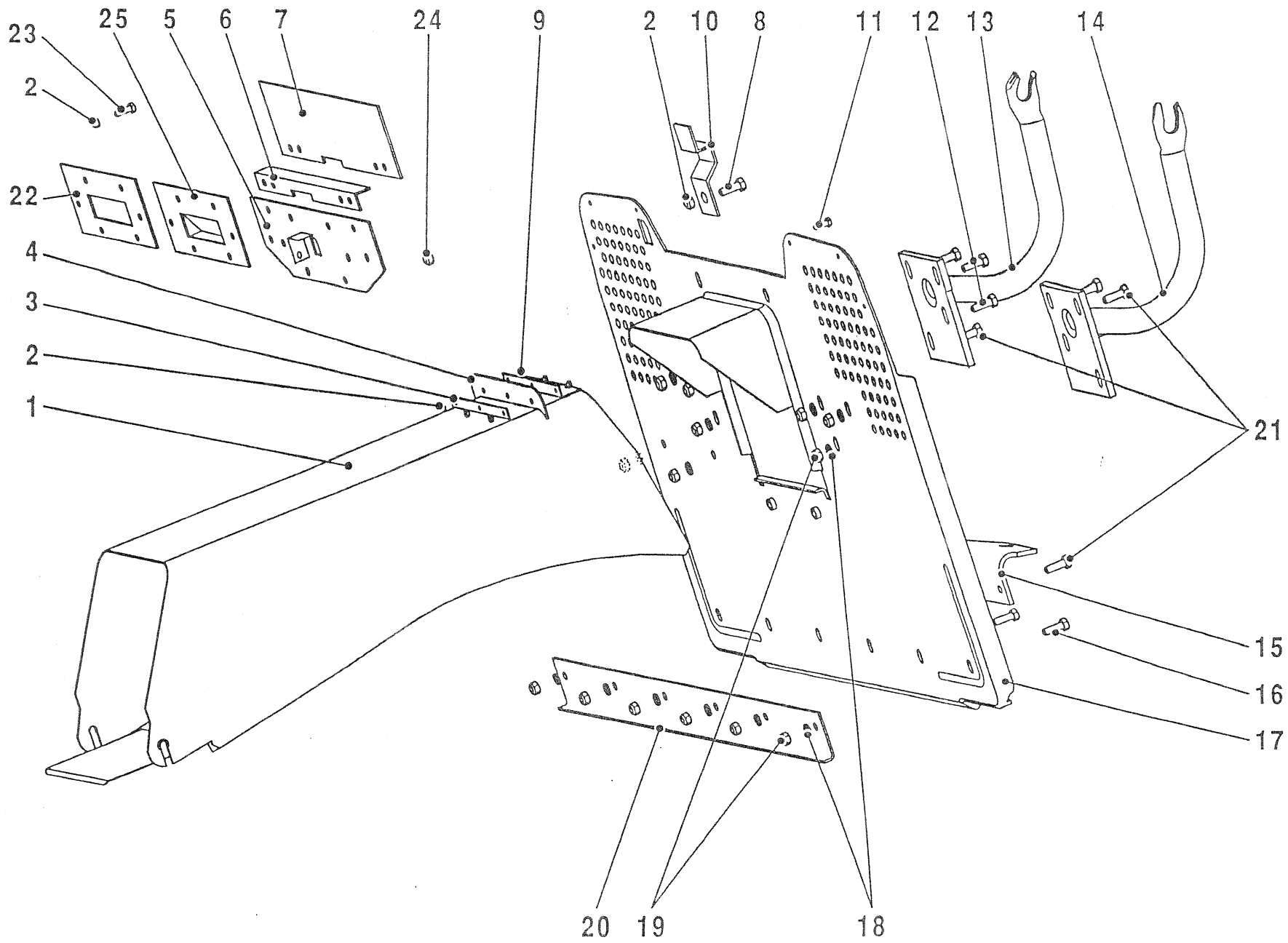


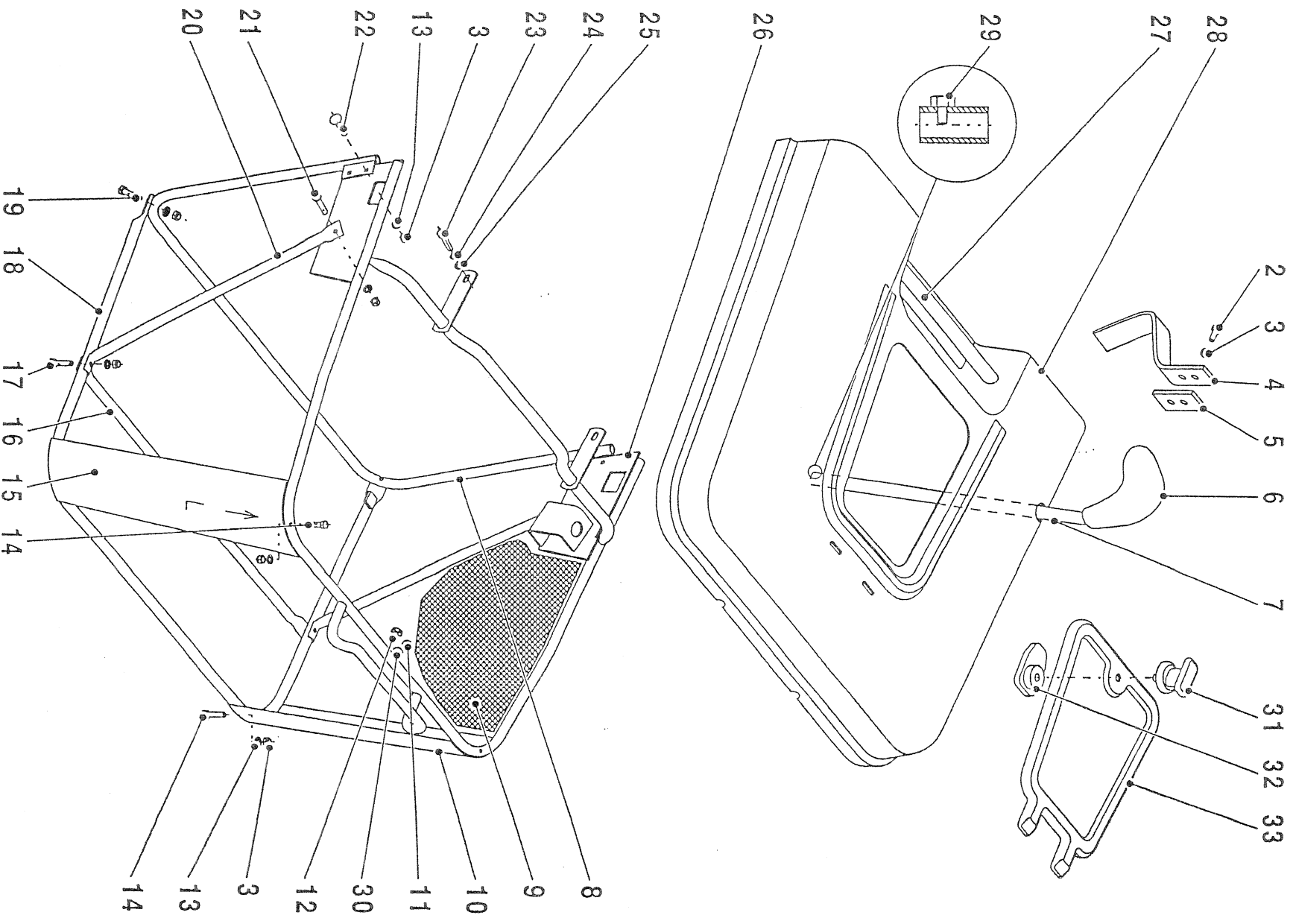
Fig. 024_4

Chute - collector assy

Section 6

GRP	POS.	PART NO.	DESCRIPTION	Q.TY	CODE
6	1	195800877	Tunnel	1	
6	2	000284240	Self locking nut M4 DIN 985 Cl.8	12	
6	3	000072765	Support plate	1	
6	4	000006743	Rubber seal	1	
6	5	195800875	Cover plate	1	
6	6	105800912	Bracket, cover plate	1	
6	7	105800911	Shield, cover	1	
6	8	253504012	Ecofix screw M4 x 12 BN 4825H 4.8	1	
6	9	000262911	Head slotted screw M4 x 12 DIN 84A 8.8	3	
6	10	105800926	Switch cover	1	
6	11	255108016	Carriage bolt M8 x 16 BN 11252 10.9	2	
6	12	000251691	Screw M8 x 25 Verbus Ripp BN 2797 Cl.100	4	
6	13	195800928	Collector support, right	1	
6	14	195800927	Collector support, left	1	
6	15	000020482	Tow hitch	1	
6	16	222008020	Hex screw M8 x 20 DIN 6921 8.8	5	
6	17	195800953	Collector plate assy	1	
6	18	000291500	Flat washer 8.4 DIN 125 A	10	
6	19	000280885	Self locking nut M8 DIN 985 Cl.8	10	
6	20	105800942	Tow hitch support	1	
6	21	000213312	Hex screw M8x25 DIN 6921 8.8	5	
6	22	505800875	Retainer plate, switch cover	1	
6	23	220004012	Hex screw M4x12 DIN 933 8.8	10	
6	24	271020043	Flat washer 4.3 DIN 9021 B	2	
6	25	505900090	Bellows switch cover	1	

Fig. 036_1



Grass collector assy

Section 7

GRP	POS.	PART NO.	DESCRIPTION	Q.TY	CODE
7	1	195800864	Grass collector assy with window	1	
7	2	000254067	Hex screw M5 x 16 DIN 933 8.8	2	
7	3	000285912	Self locking nut M5 DIN 985 Cl.8	16	
7	4	105800918	Collector spring, interlock switch	1	
7	5	105800917	Washer spring	3	
7	6	105700060	Handle grip, dump lever - grey	1	
7	7	105800952	Dumping lever	1	
7	8	000975249	Front frame assy	1	
7	9	105800813	Grass collector bag CZ	1	
7	10	000019063	Corner support - right	1	
7	11	000239448	Flat washer 5.3 DIN 9021 B	7	
7	12	295048016	Tapping screw ST4.8 x 16 DIN 7976 C	7	
7	13	000289828	Flat washer 5.3 DIN 125 A	14	
7	14	000286605	Hex screw M5 x 25 DIN 933 8.8	4	
7	15	000060269	Corner support - left	1	
7	16	000024937	Connecting brace	1	
7	17	000283250	Hex screw M5 x 35 DIN 933 8.8	2	
7	18	000929874	Bottom frame assy	1	
7	19	000286605	Hex screw M5 x 25 DIN 933 8.8	2	
7	20	000026048	Brace	2	
7	21	000254067	Hex screw M5 x 16 DIN 933 8.8	2	
7	22	000207086	Carriage bolt M5 x 16 DIN 603 6.8	4	
7	23	000244563	Hex screw M8 x 20 DIN 933 8.8	2	
7	24	000201003	Spring washer 8 DIN 127 B	2	
7	25	000298760	Flat washer 8.4 DIN9021B	2	
7	26	195800970	Top frame assy	1	
7	27	000978604	Lift handle	1	
7	28	105700073	Collector cover -red Eu - (window)	1	
7	29	505900065	Taptite thread form screw 1/4-20x1/2	1	
7	30	105800862	Rubber washer 5.3	7	
7	31	000450329	Knob	1	
7	32	000481503	Knob arm	1	
7	33	000075933	Transparent window	1	

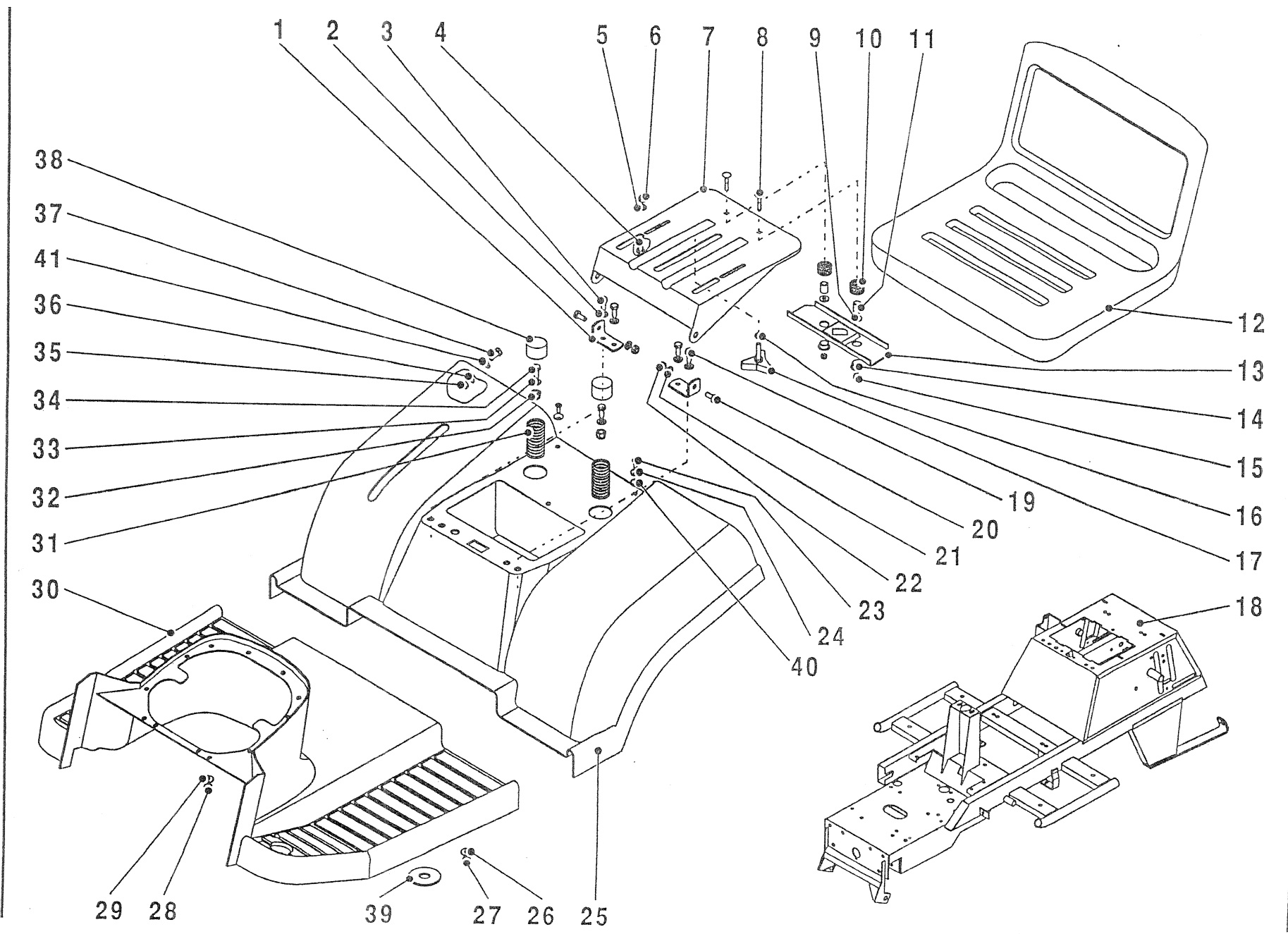


Fig. 013_2

Body assy.

Section 8

GRP	POS.	PART NO.	DESCRIPTION	O.TY	CODE
8	1	105800940	Seat support bracket	2	
8	2	000201003	Spring washer 8 DIN 127 B	4	
8	3	000246235	Hex screw M8x25 DIN 933 8.8	3	
8	4	000205447	Screw 5/16 - 18NCx3/4" HWL UNSL	2	
8	5	000203236	Hinge ring 8x12x2 BN 739	2	
8	6	000201003	Spring washer 8 DIN 127 B	2	
8	7	105800939	Seat support	1	
8	8	240306030	Carriage bolt M6x30 DIN 603 6.8	2	
8	9	000298210	Flat washer 6.4 DIN 9021 B	2	
8	10	000331386	Seat spring	2	
8	11	105800935	Spacer split	2	
8	12	000716276	Seat V-550	1	
8	13	105800938	Bracket	1	
8	14	000002156	Bushing	2	
8	15	000283118	Self locking nut M6 DIN 985 Cl.8	2	
8	16	000290642	Spring washer 8 DIN 137 A	2	
8	17	000204886	Adj. knob 285 5/16 -18x3/4" LG	2	
8	18	195800021	Chasis frame	1	
8	19	000245124	Hex screw M8x30 DIN 933 8.8	1	
8	20	000074690	Seat support screw	2	
8	21	000291500	Flat washer 8.4 DIN 125 A	2	
8	22	000280885	Self locking nut M8 DIN 985 Cl.8	2	
8	23	000262064	Flat head socket screw M5x20 DIN 7991 A4	2	
8	24	000268774	Finishing washer 5.3 SN 213912	2	
8	25	105700070	Fender - red Eu	1	
8	26	000292061	Flat washer 10.5 DIN 125 A	4	
8	27	000281446	Self locking nut M10 DIN 985 Cl.8	4	
8	28	000285912	Self locking nut M5 DIN 985 Cl.8	6	
8	29	000239448	Flat washer 5.3 DIN 9021 B	6	
8	30	105700021	Footrest assy - black	1	
8	31	000098692	Seat spring	2	
8	32	000280885	Self locking nut M8 DIN 985 Cl.8	2	
8	33	000298760	Flat washer 8.4 DIN 9021 B	2	
8	34	000244563	Hex screw M8x20 DIN 933 8.8	2	
8	35	000284240	Self locking nut M4 DIN 985 Cl.8	6	
8	36	271020043	Flat washer 4.3 DIN 9021 B	6	
8	37	000207086	Carriage bolt M5x16 DIN 603 6.8	6	
8	38	000407121	Hub cap SC 1-1/2 - black	2	
8	39	105800864	Rubber washer 10.5	2	
8	39	105800870	Rubber washer 11.5	2	
8	40	105800862	Rubber washer 5.3	2	
8	41	105800862	Rubber washer 5.3	6	

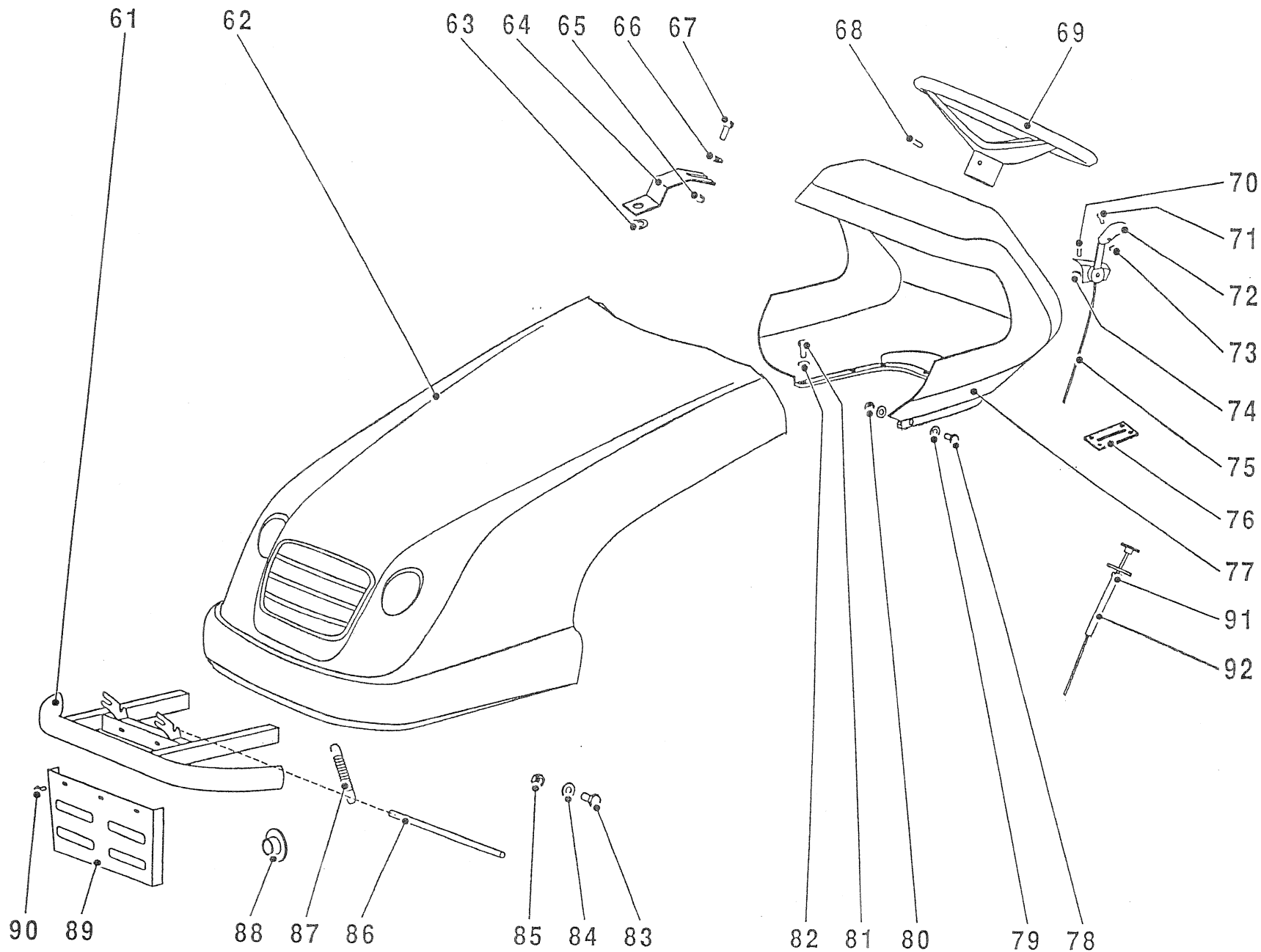


Fig. 008_4

Body assy.

Section 8

GRP	POS.	PART NO.	DESCRIPTION	Q.TY	CODE
8	61	195800876	Bumper	1	
8	62	195800872	Hood	1	
8	63	000820699	Bushing 22x2	1	
8	64	105800830	Fuel tank holder	1	
8	65	000283118	Self locking nut M6 DIN 985 Cl.8	2	
8	66	000290389	Flat washer 6.4 DIN 125 A	2	
8	67	253506016	Ecofix screw M6x16 BN 4825 H 4.8	2	
8	68	000323906	Spring pin 6x45 DIN 7346	1	
8	69	000493119	Steering wheel - black	1	
8	70	254505016	Flat head screw M5x16 DIN 965 A 4.8	4	
8	71	250004014	Head-slotted screw M4x14 DIN 84 A 8.8	1	
8	72	000084414	Throttle knob - black	1	
8	73	000284240	Self locking nut M4 DIN 985 Cl.8	1	
8	74	000285912	Self locking nut M5 DIN 985 Cl.8	4	
8	75	000717739	Throttle lever assy	1	* 1
8	75	000770880	Throttle lever assy GAR 001	1	
8	76	105800812	Brace	1	
8	77	105800808	Dash panel - black	1	* 1
8	77	105800807	Dash panel - black	1	* 2
8	77	105800806	Dash panel - black	1	* 3
8	78	000247621	Hex screw M4x16 DIN 933 8.8	2	
8	79	000200090	Flat washer 4.3 DIN 125 A	4	
8	80	000284240	Self locking nut M4 DIN 985 Cl.8	2	
8	81	220005020	Hex screw M5x20 DIN 933 8.8	6	
8	82	000239448	Flat washer 5.3 DIN 9021 B	6	
8	83	000244563	Hex screw M8x20 DIN 933 8.8	4	
8	84	000298760	Flat washer 8.4 DIN 9021 B	4	
8	85	000280885	Self locking nut M8 DIN 985 Cl.8	4	
8	86	105800818	Safety bar	1	
8	87	312011049	Hood spring	1	
8	88	990000001	Plug GL 50 - 1/2.5 - black	2	
8	89	105800176	Heat shield	1	
8	90	000259314	Self drilling screw 4.2x12 ECO DIN 7504 K	3	
8	91	000978450	Choke - Capro	1	* 4
8	92	505900084	Hex nut 3/8 - 24	1	* 4

- * 1 - for 6017-H only
- * 2 - for 6018-H only
- * 3 - for 6420-H only
- * 4 - NOT for 6017-H

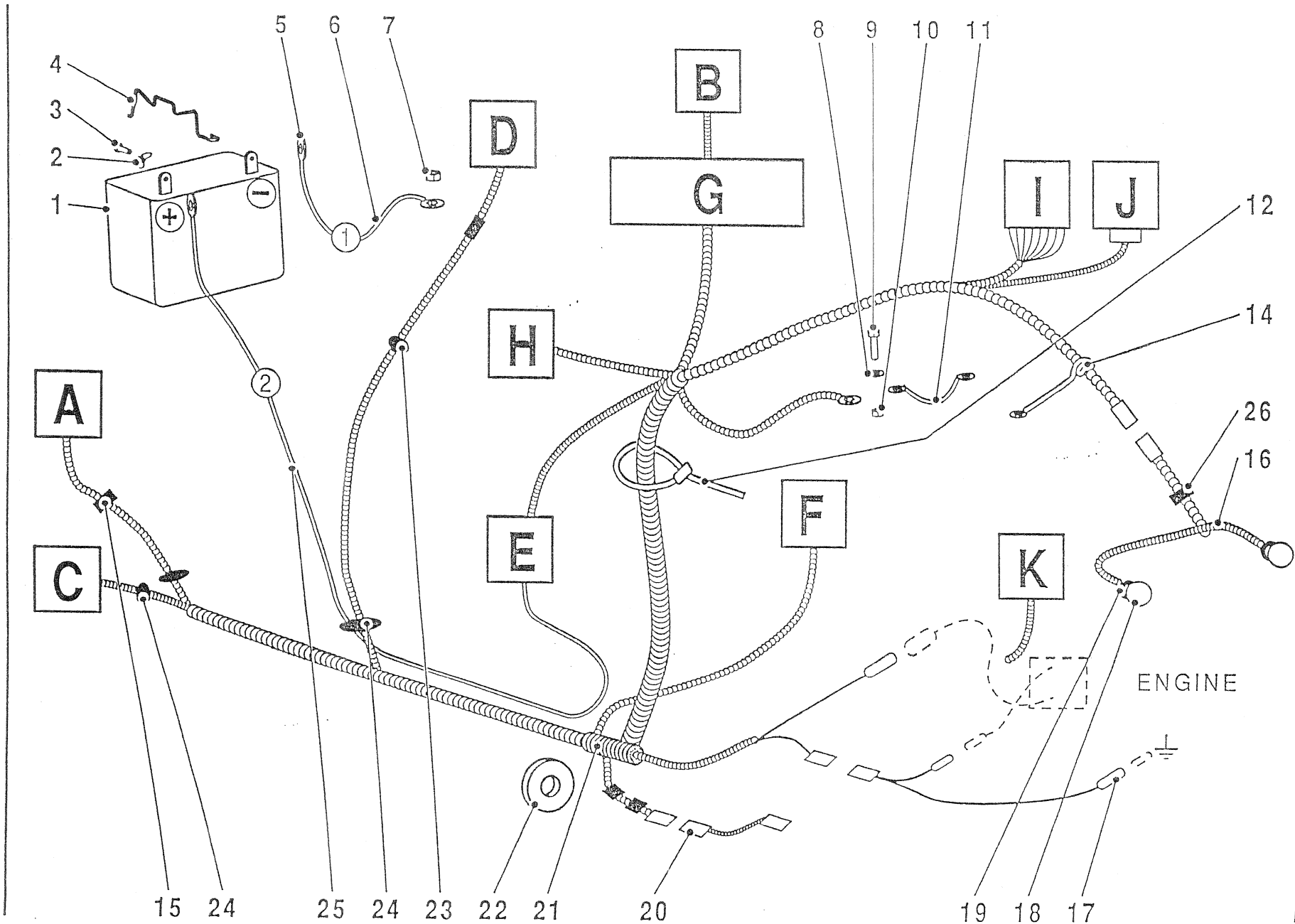


Fig. 040_6

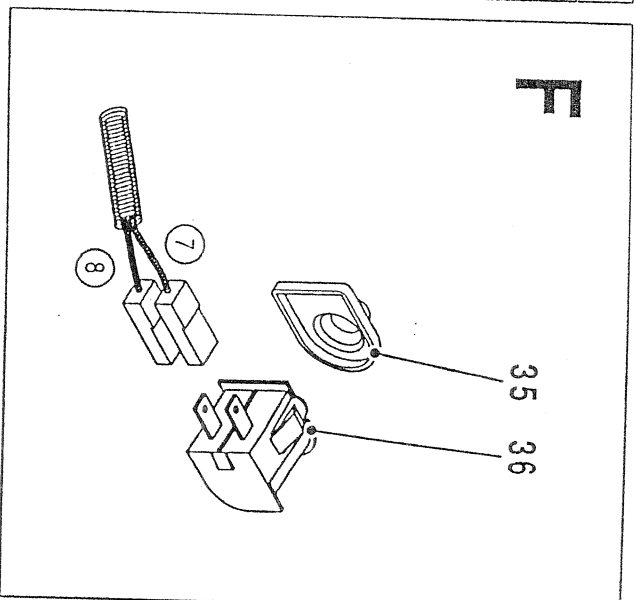
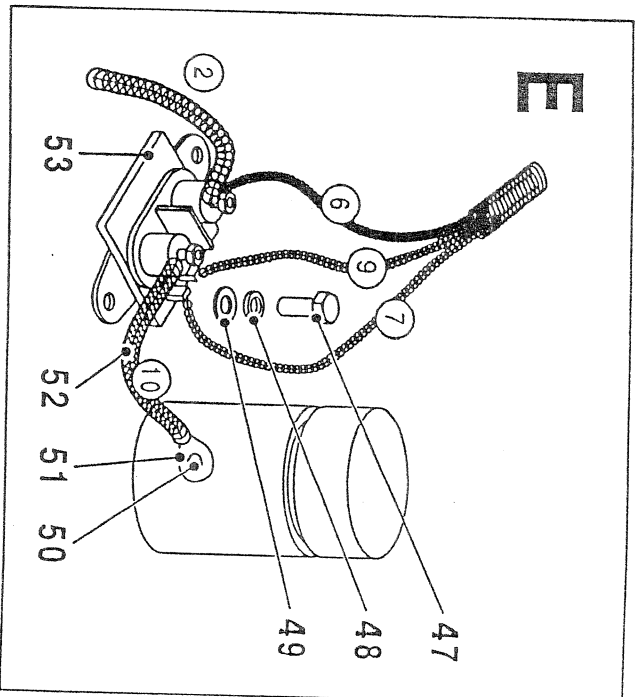
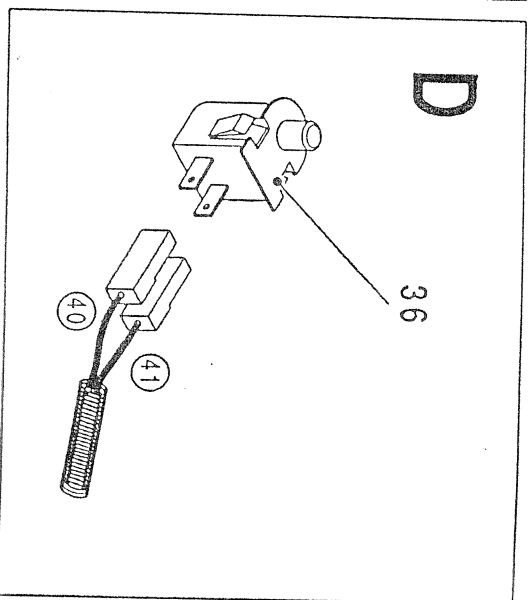
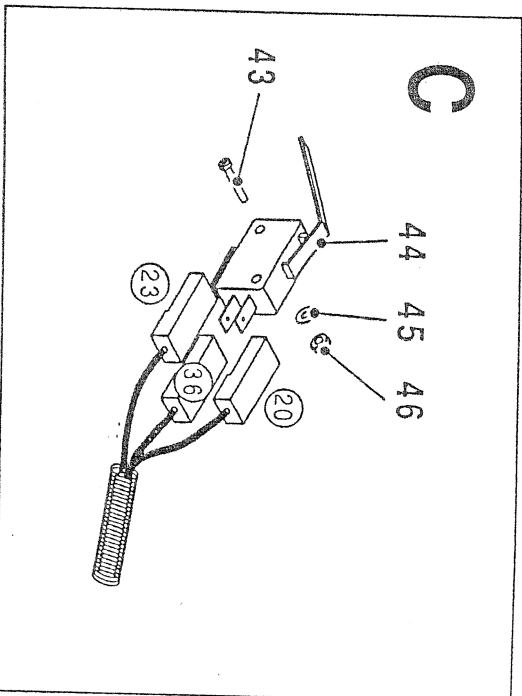
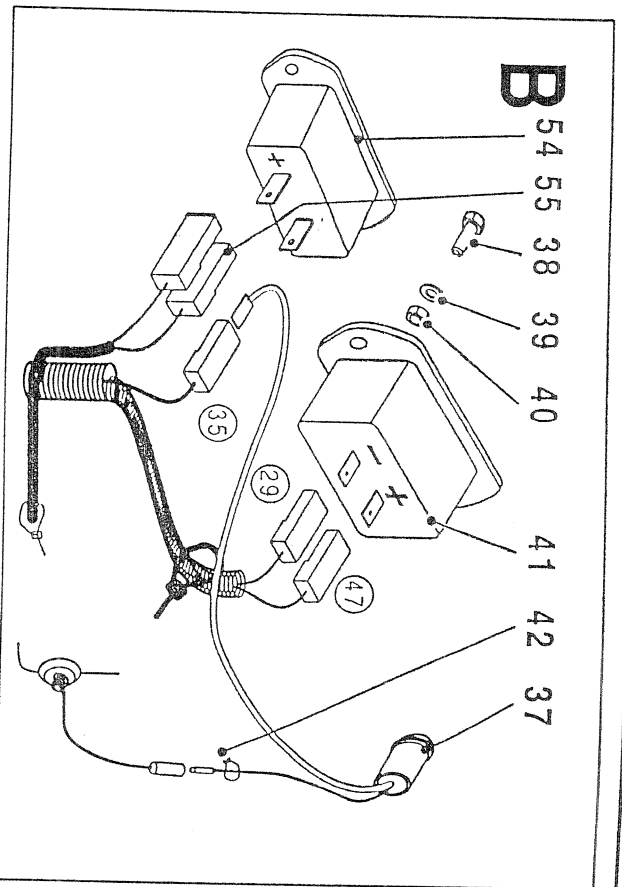
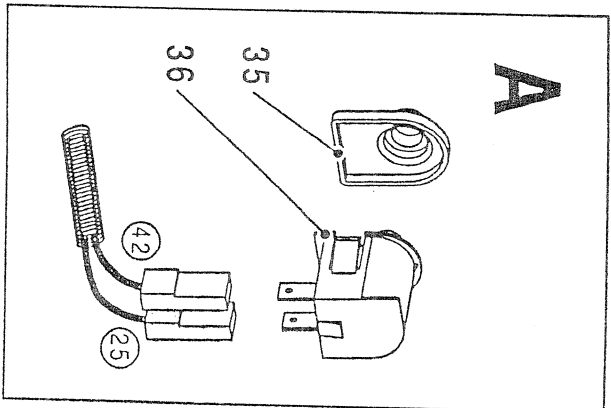
Electrical

Section 9

GRP	POS.	PART NO.	DESCRIPTION	Q.TY	CODE
9	1	000866712	Battery 12V-22Ah - wet	1	
9	2	000846802	Plasic wing nut 1/4 - 20	2	
9	3	000861894	Battery screw 1/4-20x3/4 LG	2	
9	4	000874962	Battery clamp	1	
9	5	000652388	Rubber boot	2	
9	6	000872421	Battery cable (-)	1	
9	7	000280855	Self locking nut M8 DIN 985 Cl.8	1	
9	8	000289828	Flat washer 5.3 DIN 125 A	1	
9	9	000254067	Hex screw M5x16 DIN 933 8.8	1	
9	10	000285912	Self locking nut M5 DIN 985 Cl.8	1	
9	11	195800917	Electrical lead	1	
9	12	000323356	Cable ties RT360	1	
9	14	000059004	Wiring harness holder	1	
9	15	000829191	Clip - snap in 1903-00 F/A	4	
9	16	000882684	Light wiring harness	1	
9	17	195800848	Extension cable 3 WK 195 58	1	* 1
9	18	000818323	Light bulb R10W 12V BA15s	2	
9	19	000858000	Light socket	2	
9	20	195800914	Clutch harness with diode	1	
9	21	195800849	Main wiring harness 3 WN 195 57	1	
9	22	000890670	Cap - 15455 - 4539	1	
9	23	000430595	Bushing 9x2	1	
9	24	820002202	Bushing 18x2	3	
9	25	195800915	Battery cable (+)	1	
9	26	000692054	Nylon clips - adhesive 1/4 PCNY 250-9	2	

* 1 for 6420-H only

Fig. 037_4



Electrical

Section 9

GRP	POS.	PART NO.	DESCRIPTION	Q.TY	CODE
9	35	5059000048	Protective cover 9905	2	
9	36	000877943	Switch DELTA 6440-04	3	
9	37	195800850	Harness for oil light	1	*1
9	38	505900106	Screw M3x20 DIN 7985 4.8 - black	2	
9	39	271020032	Flat washer 3.2 DIN 9021 B	2	
9	40	505900107	Self locking nut M3 DIN 985 Cl.8	2	
9	41	505900098	Service Hour metre 805 - 200	1	
9	42	000323356	Cable ties RT 360	3	*2
9	43	000242352	Slotted head screw M3x20 DIN 84 A 4.8	2	
9	44	105800831	Cherry switch OE 33-55 HX	1	
9	45	000244585	Tooth-head lock washer 3.2 DIN 6797 A	2	
9	46	231308003	Self locking nut M3 DIN 985 Cl.8	2	
9	47	000247357	Hex screw M6x12 DIN 933 8.8	2	
9	48	000200442	Spring washer 6 DIN 127 B	2	
9	49	000290389	Flat washer 6.4 DIN 125 A	2	
9	50	000277816	Nut W 1/4" - 20	1	
9	51	000453332	Rubber boot	1	
9	52	195800916	El. starter lead (10)	1	
9	53	000821117	Solenoid 94255/12V - 150A	1	
9	54	505900108	DC Ammetre PRIME	1	*3
9	55	195800846	Harness for DC Ammeter	1	*3

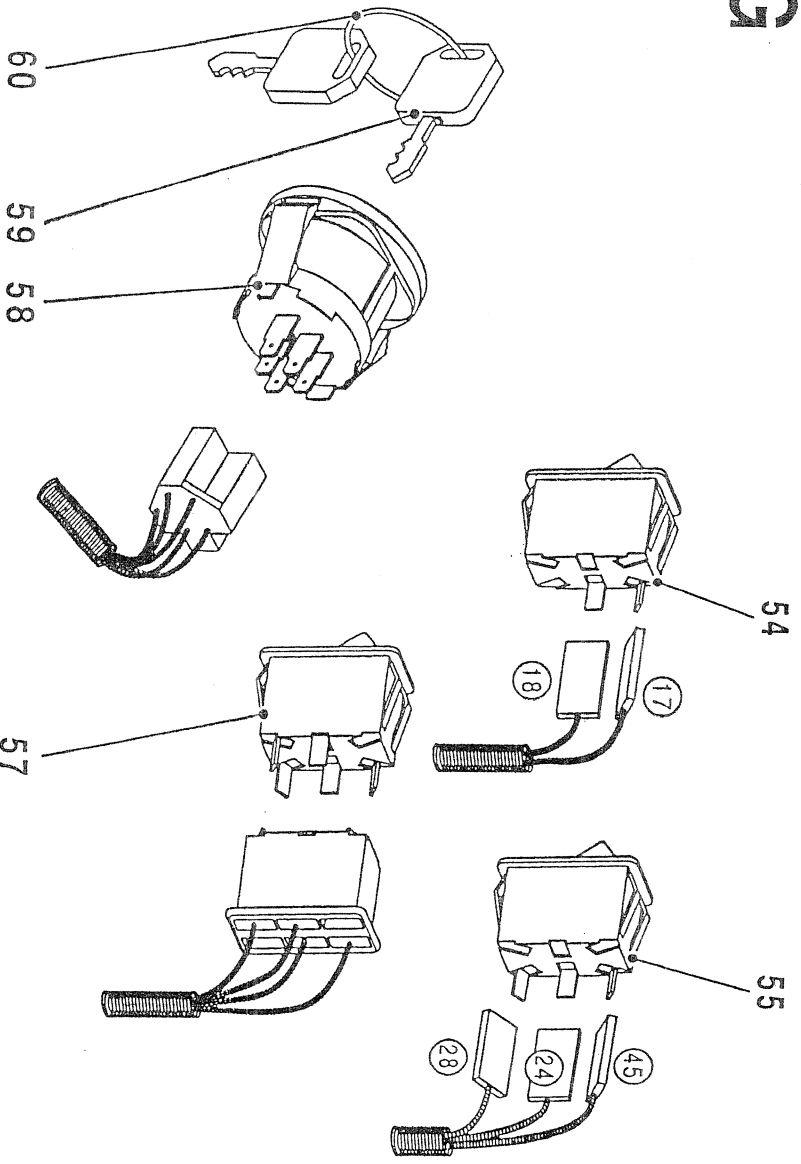
* 1 - for 6420-H only

* 2 - for 6017 - H 1pc. , for 6420 - H ,6018 - H 2 pcs.

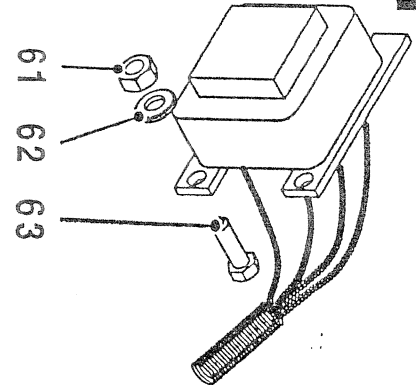
* 3 - for 6420 - H, 6018 - H only

Fig. 039_7

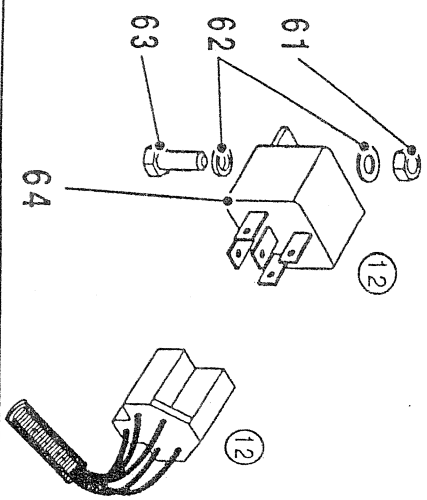
G



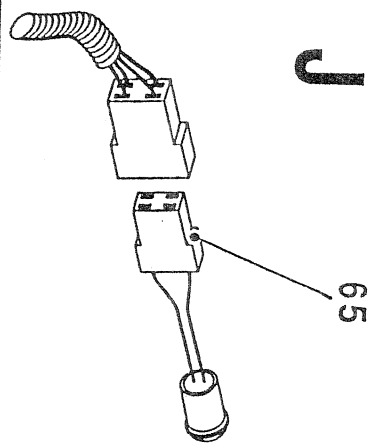
H



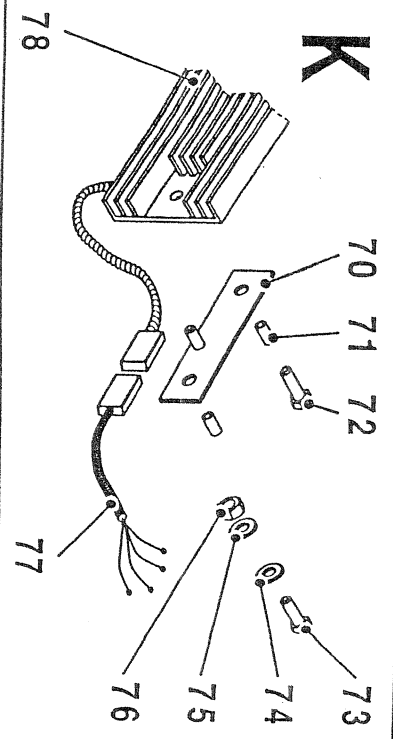
I



J



K



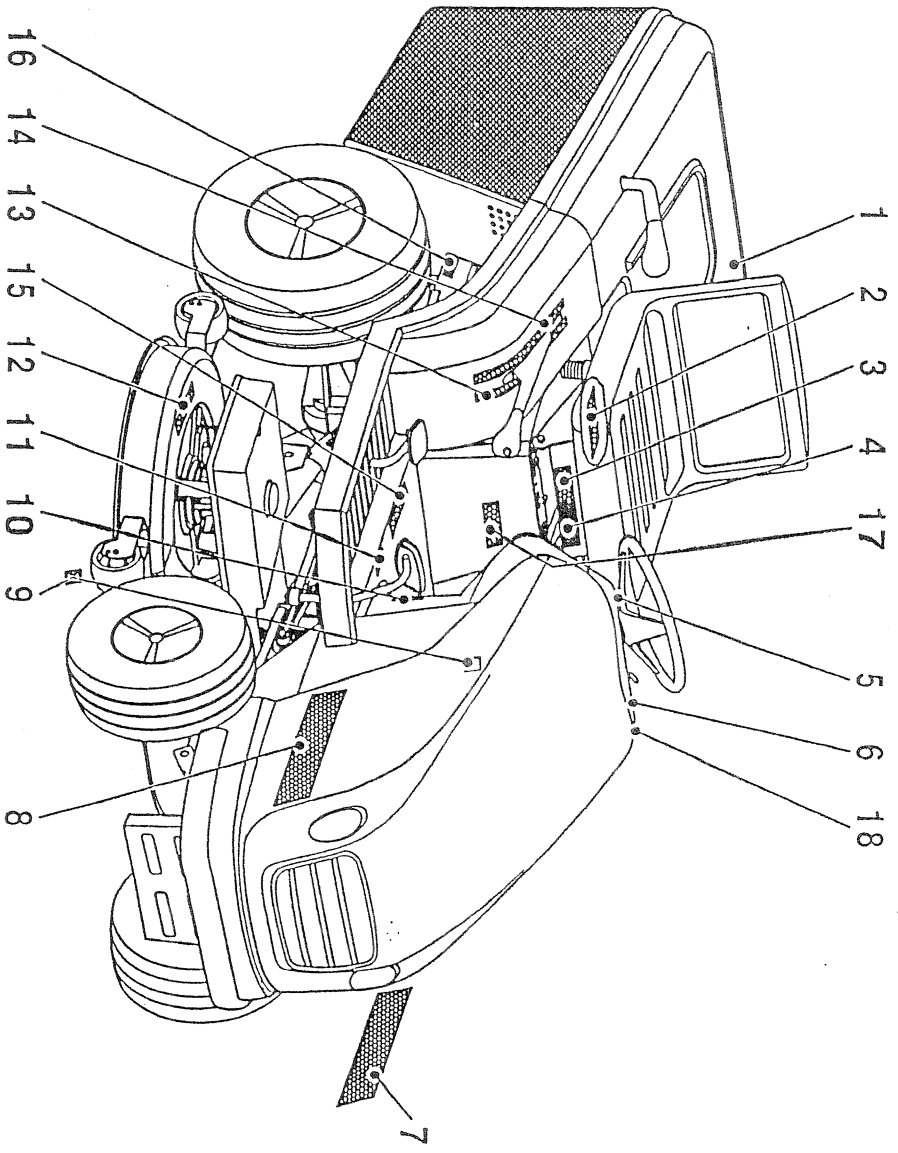
Electrical

Section 9

GRP	POS.	PART NO.	DESCRIPTION	Q.TY	CODE
9	54	000854920	Switch LIGHT 8951 K 808	1	
9	55	000806872	Switch MAN-AUTO 8004 K 26 N	1	
9	57	505900052	Locking rocker switch	1	
9	58	505900051	Ignition switch 6900 - 37	1	
9	59	000803781	Key with moulded cover 688 P - STD	2	
9	60	000304909	Ring 406 15/40	1	
9	61	000285912	Self locking nut M5 DIN 985 Cl.8	3	
9	62	000239448	Flat washer 5.3 DIN 9021 B	6	
9	63	022005020	Hex screw M5x20 DIN 933 8.8	3	
9	64	000846824	Relay 443 811 445 141	1	
9	65	195800847	Warning light - flashing	1	
9	70	195800867	HONDA Regulator holder	1	* 1
9	71	105800815	Spacer	2	* 1
9	72	221006045	Hex screw M6x45 DIN 931 8.8	1	* 1
9	73	221006060	Hex screw M6x60 DIN 931 8.8	1	* 1
9	74	000298210	Flat washer 6.4 DIN 9021 B	4	* 1
9	75	000200442	Spring washer 6 DIN 127 B	3	* 1
9	76	000271942	Hex nut M6 DIN 934 Cl.8	3	* 1
9	77	595900110	Harness assy QAF 4	1	* 1
9	78	595900109	Regulator HONDA 20 A - QAF	1	* 1

* 1 - for 6420 - H only

Fig. 047_1



Decals - labels

Section 10

GRP	POS.	PART NO.	DESCRIPTION	Q.TY	CODE
10	1	000639144	Decal arrow	2	
10	2	105800800	Identification label	1	
10	3	000604945	Battery label	1	
10	4	505900077	Decal B&S	1	* 1
10	5	105800804	Dash panel decal, right	1	
10	6	105800803	Dash panel decal, left	1	* 2
10	6	105800802	Dash panel decal, left	1	* 3
10	7	105800838	Decal GARDENSTAR, left	1	
10	8	105800838	Decal GARDENSTAR, right	1	
10	9	000689315	Brake locking	1	
10	10	000686620	Users information	1	
10	11	000668041	Safety label	1	
10	12	000601920	Safety label - cutting	2	
10	13	105800904	Label of lifting, left	1	
10	14	105800819	Label of lifting, right	1	
10	15	000641179	Travel direction decal	1	
10	16	000677644	Hydro locking decal	1	
10	17	000642323	Safety decal	1	
10	18	105800811	Oil pressure decal	1	* 4

* 1 - for 6017-H, 6018-H only

* 2 - for 6017-H only

* 3 - for 6018-H, 6420-H only

* 4 - for 6420-H only

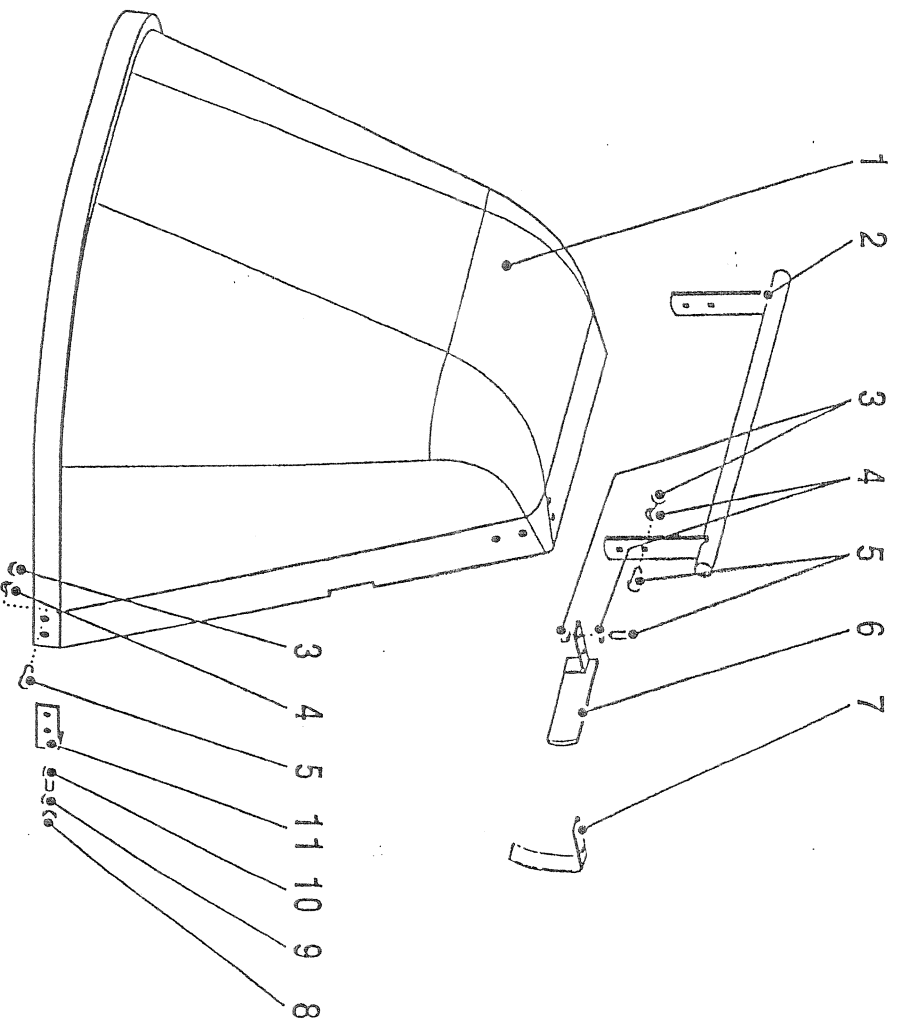
Fig. 046_1

A C C E S S O R I E S

DEFLECTOR

POS.	PART NO.	DESCRIPTION	Q.TY	CODE
1	000934659	Deflector complete	1	
2	000007216	Deflector	1	
3	000991232	Handle	1	
4	000207086	Carriage bolt M5x16 DIN 603 6.8	10	
5	000000239	Flat washer 5.3 DIN 9021 B	10	
6	000285912	Self locking nut M5 DIN 985 Cl.8	10	
7	195800907	Spring bracket	1	
8	000083083	Spring bracket	1	+
9	000283118	Self locking nut M6 DIN 985 Cl.8	4	
10	000290389	Flat washer 6.4 DIN 125 A	4	
11	000218328	Hex screw M6x14 DIN 933 8.8	4	
	000037818	Bottom holder	2	

* For tractors made until to 1997 production.
 + For tractors 1998 production



Lawn Tractor

The manufacturer continuously improve their products on the basis of experience gained in the course of operation and up-to-date knowledge. They reserve, therefore, the right of modifying the machine as well as the respective documentation.

Your tractor may be slightly different from the description in the spare parts catalogue.

However this does not effect essential tractor features and usage

NOTE: Engine, electro-magnetic clutch and transmission components are not included. Parts of these items must be ordered from their respective distributors.

INSTRUCTION FOR ORDERING SPARE PARTS

This catalogue contains a specification of spare and their location in the various assembly groups.

When ordering spare parts, please, always state:

- type of lawn tractor
- serial number of lawn tractor
- part number
- exact description of part

SEND YOUR ORDER TO YOUR LOCAL DISTRIBUTOR OR RETAILER.

IDENTIFICATION

Serial No:

The tractor identification plate is located under the driver's seat and behind the battery. Make a note of the serial number at this page. This serial number will have to be quoted when contacting your distributor for service and ordering of spare parts for the tractor.